

Turn Your Vision Into Reality.



implanet™ is a worldwide rapidly growing and innovative manufacturer of premium-quality dental implant systems and related medical devices.

Our implant systems can be found in Tens of thousands healed patients around the world. Our Company is based in Israel, manufactures and distributes Dental products for professionals in both Domestic and International Markets, Developed according to the most strict international standards.

We strive to offer our customers the best value for their money along with fast and attentive service.

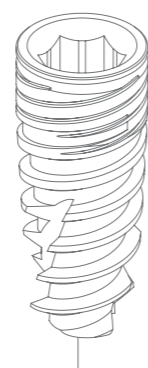




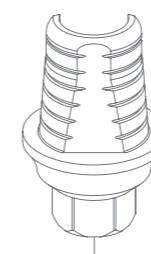
Implants

10 - 25

| | |
|------------------------------|---------|
| Neo® Spiral Implant | 10 - 13 |
| U-Razor® Cylindrical Implant | 16 - 19 |
| Onix® One Piece Implant | 22 - 25 |



60 - 63 Digital Solutions



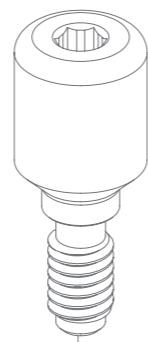
| | |
|-----------------------|----|
| CAD/CAM Interfaces | 62 |
| Digital Model Analogs | 63 |



Prosthetics

26 - 51

| | |
|---------------------|---------|
| Healing Abutments | 28 - 31 |
| Titanium Abutments | 32 - 37 |
| Castable Abutments | 38 - 39 |
| Zirconia Abutments | 40 - 41 |
| Temporary Abutments | 42 - 43 |
| Impression Copings | 44 - 47 |
| Implant Analogs | 48 - 49 |
| Prosthetic Screws | 50 - 51 |



64 - 67

Bio Materials



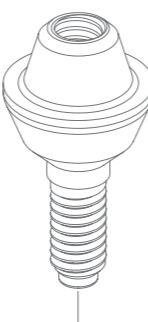
| | |
|----------------------|---------|
| Bone Graft Materials | 66 - 67 |
|----------------------|---------|



Multi Systems

52 - 59

| | |
|---------------------|---------|
| Ball Attachment | 54 - 55 |
| Click Attachment | 56 - 57 |
| Straight Multi Unit | 58 |
| Angled Multi Unit | 59 |

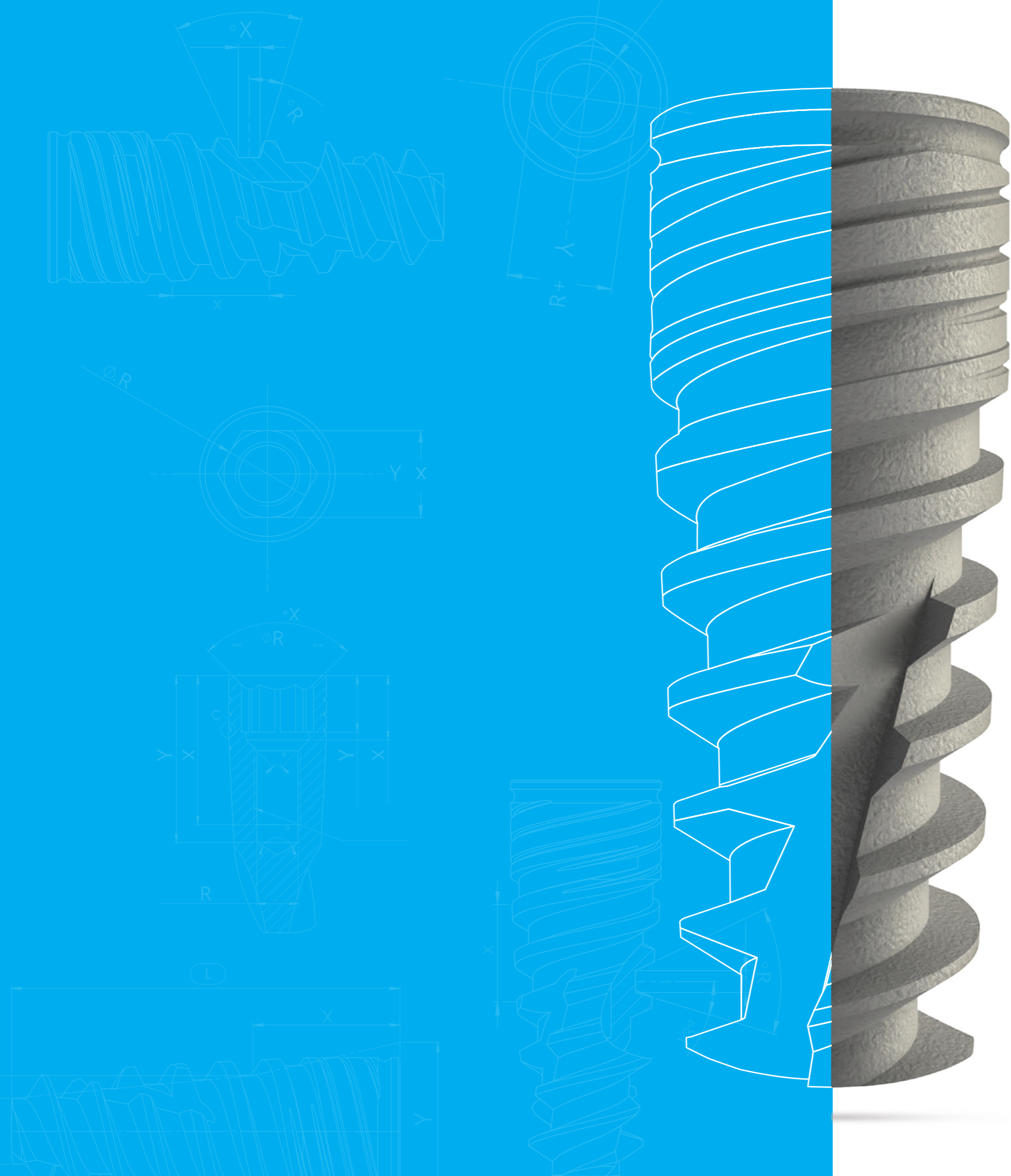


68 - 83

Tools

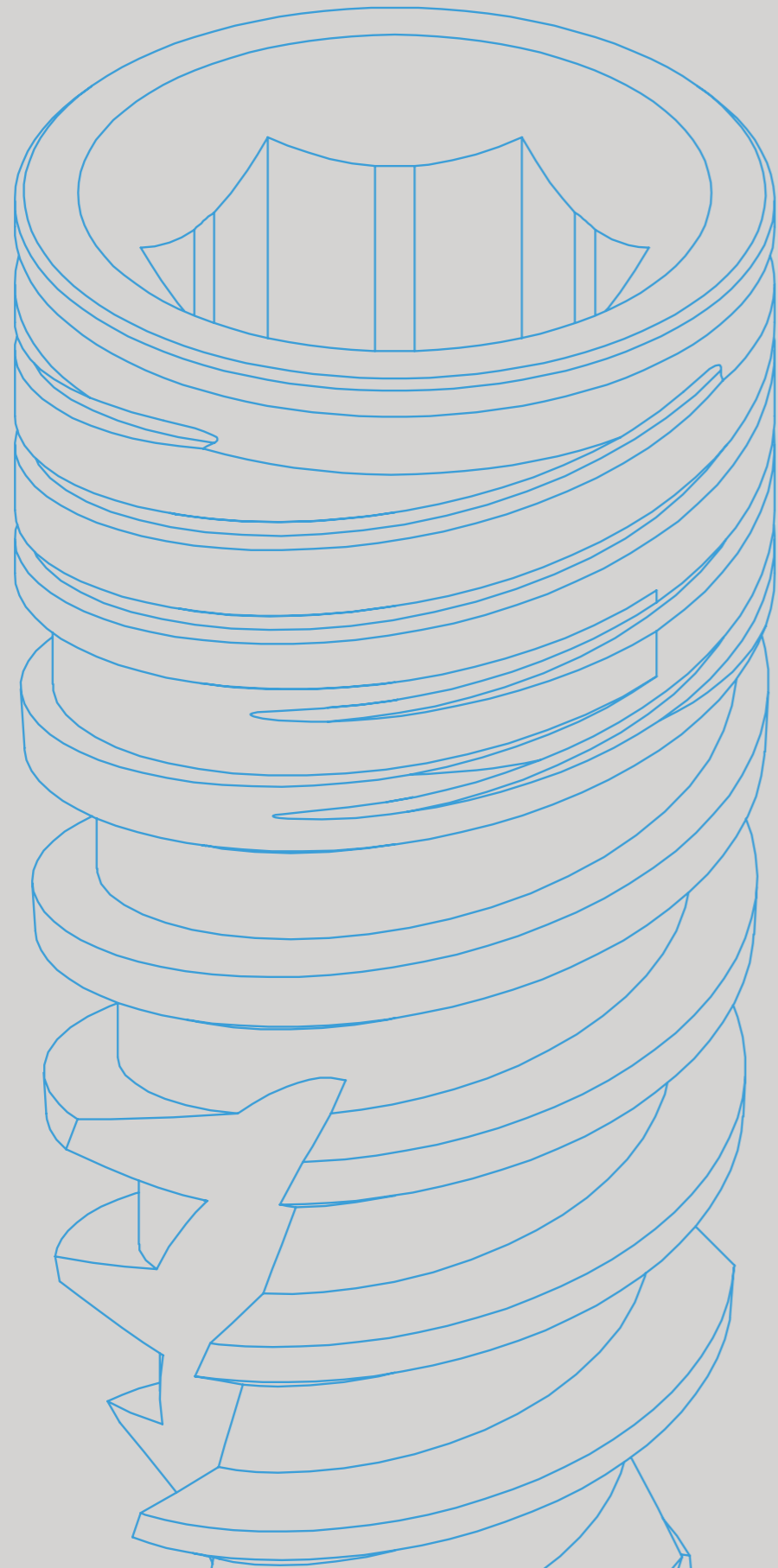


| | |
|------------------------|---------|
| Implant Drivers | 70 |
| Screw Drivers | 71 |
| Instruments & Wrenches | 72 |
| Drills | 73 - 75 |
| Drill Stoppers | 76 - 77 |
| Surgical Kits | 78 - 83 |



Implants





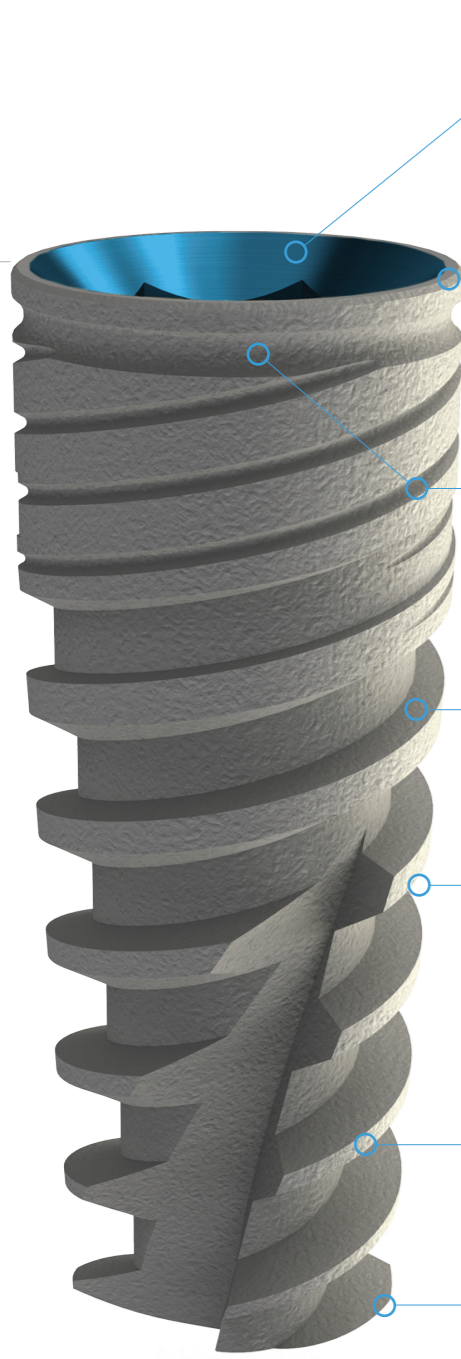
Neo® Implant





Neo® Spiral Self Drilling Dental Implant

For the past 10 years, Neo® implant is our best-selling implant due to its diverse capabilities to suit every clinical procedure with any bone type. The Neo® Initial stability along with its superior bone preservation, creates proven successful and lifetime clinical results.



Color coding
Color coding by platform for quick & easy identification during procedures.

Platform Switching
To keep the abutment connection away from the bone to allow better growth of the soft tissue.

Micro Threads
Combination of micro threads with a top seal micro ring for a significant increase in bone and implant connection.

Primary Stability
Unique dual thread design with tapered body for faster insertion and optimized stability.

S.L.A Surface Treatment
Sand blasting and acid etching surface
Creates both micro and nano structures for optimal osseointegration.

Thread Design
Tapered interior body with gradually aggressive threads for bone condensing.

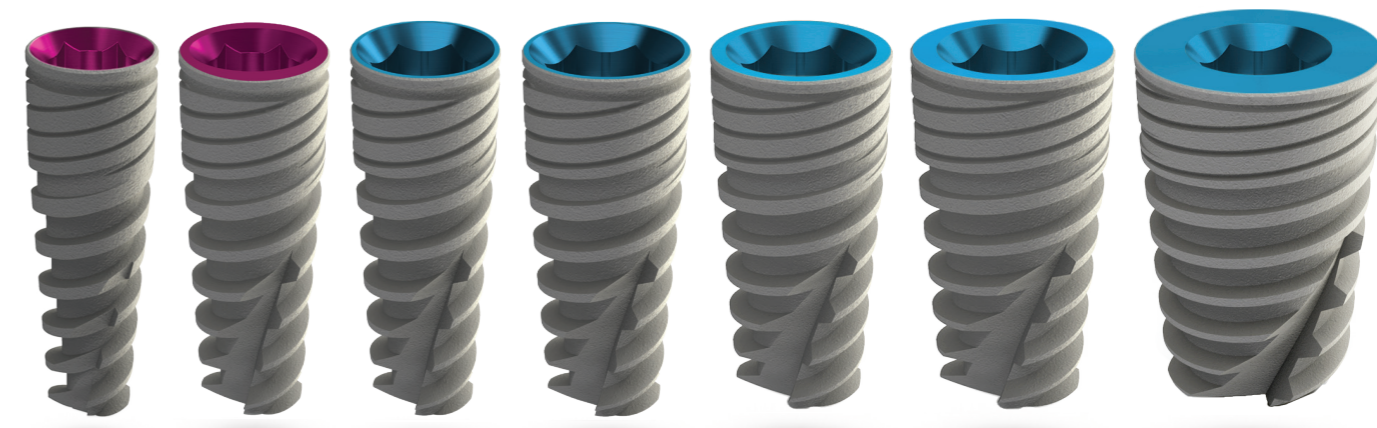
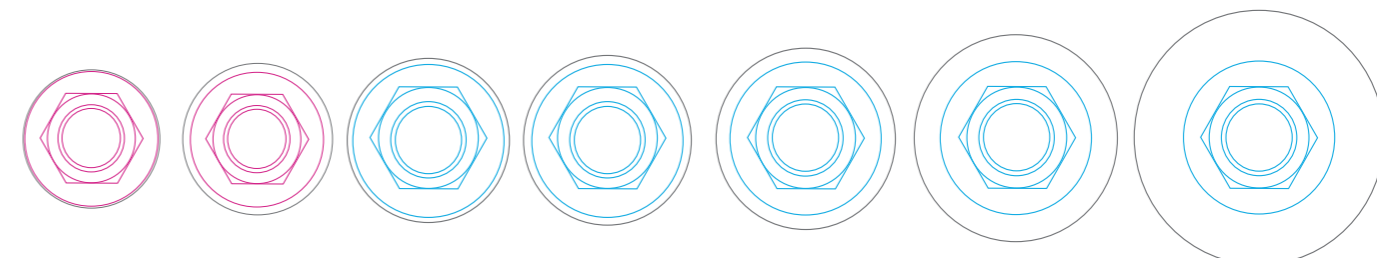
Self Drilling Features
Sharp bottom thread combined with slightly domed apex for safe insertion while keeping self drilling capabilities.



Neo® Implant Range

*NP 2.1 mm HEX

| L / Ø | Ø2.9 | Ø3.3 | Ø3.5 | Ø3.75 | Ø4.2 | Ø5.0 | Ø6.0 |
|--------------|-------------|-------------|-------------|--------------|-------------|-------------|-------------|
| 6mm | ---- | NEO-3306-NP | NEO-3506-SP | NEO-3706-SP | NEO-4206-SP | NEO-5006-SP | NEO-6006-SP |
| 8mm | NEO-2908-NP | NEO-3308-NP | NEO-3508-SP | NEO-3708-SP | NEO-4208-SP | NEO-5008-SP | NEO-6008-SP |
| 10mm | NEO-2910-NP | NEO-3310-NP | NEO-3510-SP | NEO-3710-SP | NEO-4210-SP | NEO-5010-SP | NEO-6010-SP |
| 11.5mm | NEO-2911-NP | NEO-3311-NP | NEO-3511-SP | NEO-3711-SP | NEO-4211-SP | NEO-5011-SP | NEO-6011-SP |
| 13mm | NEO-2913-NP | NEO-3313-NP | NEO-3513-SP | NEO-3713-SP | NEO-4213-SP | NEO-5013-SP | NEO-6013-SP |
| 16mm | NEO-2916-NP | NEO-3316-NP | NEO-3516-SP | NEO-3716-SP | NEO-4216-SP | NEO-5016-SP | ---- |
| APEXØ | Ø2.2 | Ø2.6 | Ø2.5 | Ø2.85 | Ø3.3 | Ø4.1 | Ø5.1 |



NP
2.1 Hex

SP
2.42 Hex

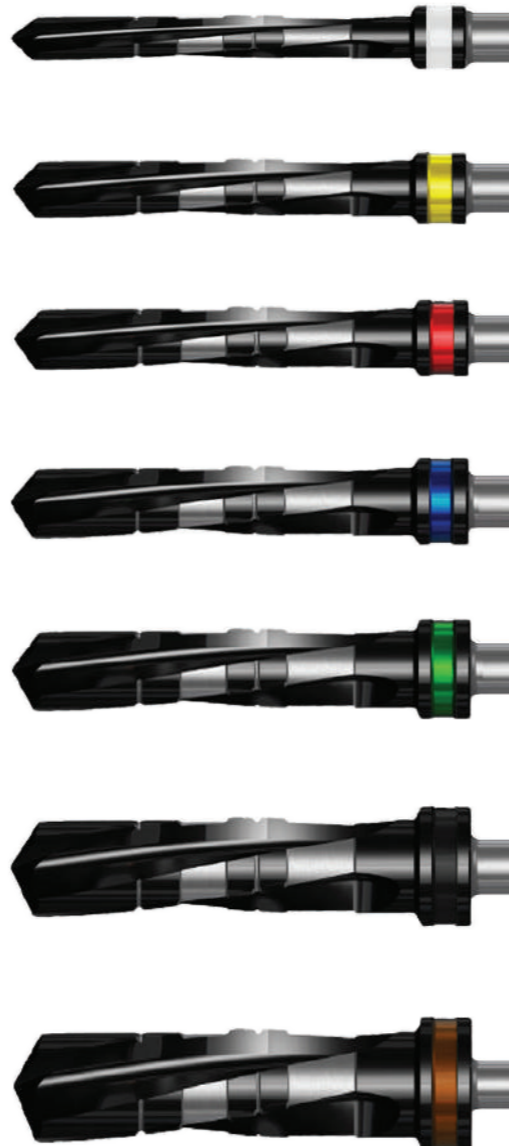


Neo® Drilling Procedure



> The drilling procedure is illustrated using 11.5 mm implant.

> Procedures recommended by Implanet cannot replace the judgment & clinical experience of the professional in place.



DNT2 Premium Coated Twisted Drills
Cuts Faster & Lasts Longer | Page 72

| | | | | |
|----------------|-----------|----------|----------|-------|
| Drilling Speed | 1200-1500 | 900-1200 | 800-1200 | 15-25 |
| Diameter | Ø1.9 | Ø2.0 | Ø2.5 | Ø2.9 |



| | | | | | |
|----------------|-----------|----------|----------|---------|-------|
| Drilling Speed | 1200-1500 | 900-1200 | 800-1200 | 500-700 | 15-25 |
| Diameter | Ø1.9 | Ø2.0 | Ø2.5 | Ø2.8 | Ø3.3 |



| | | | | | | | |
|----------------|-----------|----------|----------|---------|---------|---------|-------|
| Drilling Speed | 1200-1500 | 900-1200 | 800-1200 | 500-700 | 400-700 | 200-500 | 15-25 |
| Diameter | Ø1.9 | Ø2.0 | Ø2.5 | Ø2.8 | Ø3.2 | Ø3.75 | Ø3.75 |



| | | | | | | | | |
|----------------|-----------|----------|----------|---------|---------|---------|---------|-------|
| Drilling Speed | 1200-1500 | 900-1200 | 800-1200 | 500-700 | 400-700 | 400-600 | 200-500 | 15-25 |
| Diameter | Ø1.9 | Ø2.0 | Ø2.5 | Ø2.8 | Ø3.2 | Ø3.65 | Ø4.2 | Ø4.2 |

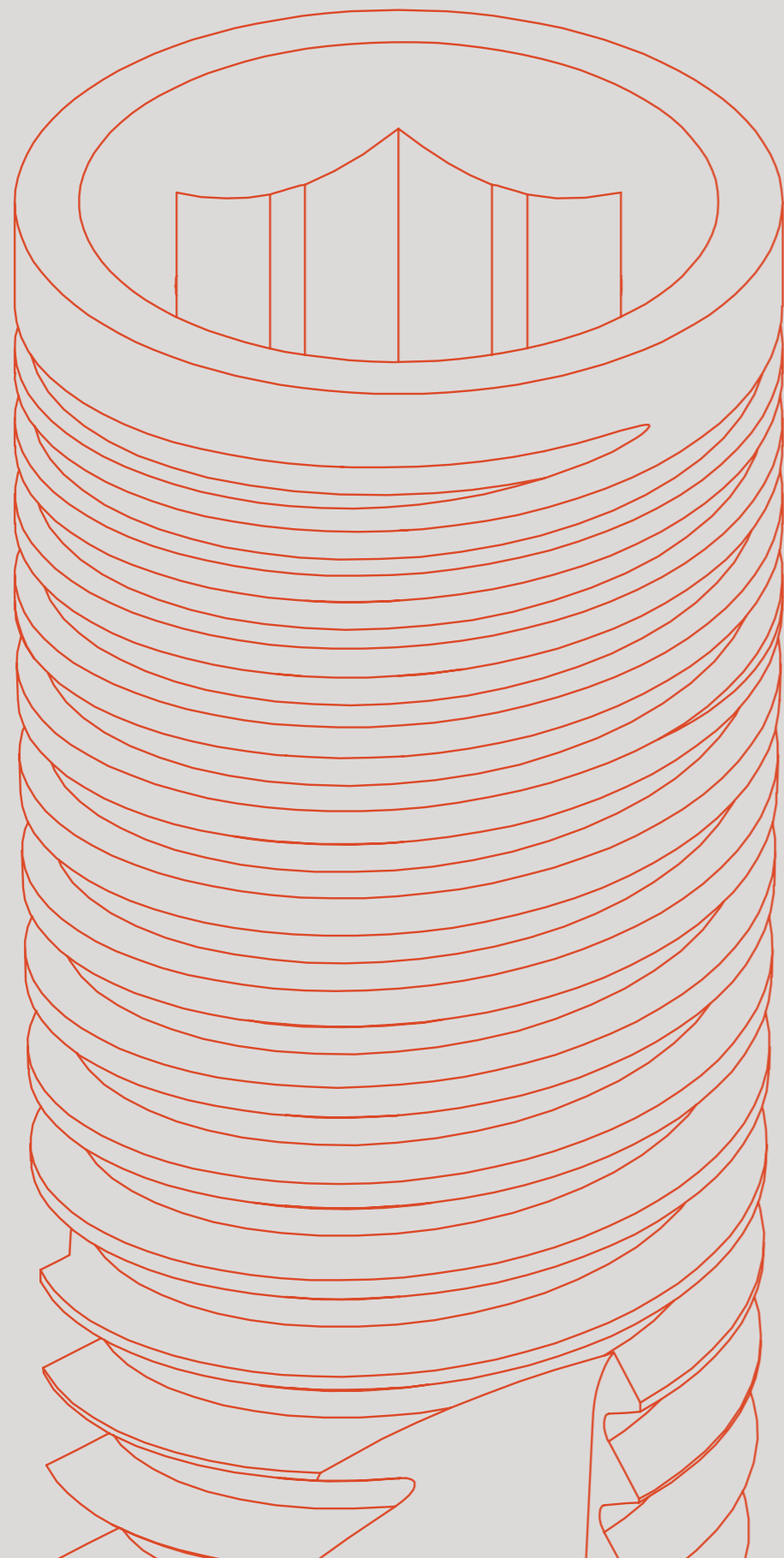


| | | | | | | | | | |
|----------------|-----------|----------|----------|---------|---------|---------|---------|---------|-------|
| Drilling Speed | 1200-1500 | 900-1200 | 800-1200 | 500-700 | 400-700 | 400-600 | 300-500 | 200-500 | 15-25 |
| Diameter | Ø1.9 | Ø2.0 | Ø2.5 | Ø2.8 | Ø3.2 | Ø3.65 | Ø4.2 | Ø5.0 | Ø5.0 |



| | | | | | | | | | | |
|----------------|-----------|----------|----------|---------|---------|---------|---------|---------|---------|-------|
| Drilling Speed | 1200-1500 | 900-1200 | 800-1200 | 500-700 | 400-700 | 400-600 | 300-500 | 200-400 | 200-500 | 15-25 |
| Diameter | Ø1.9 | Ø2.0 | Ø2.5 | Ø2.8 | Ø3.2 | Ø3.65 | Ø4.2 | Ø5.2 | Ø6.0 | Ø6.0 |





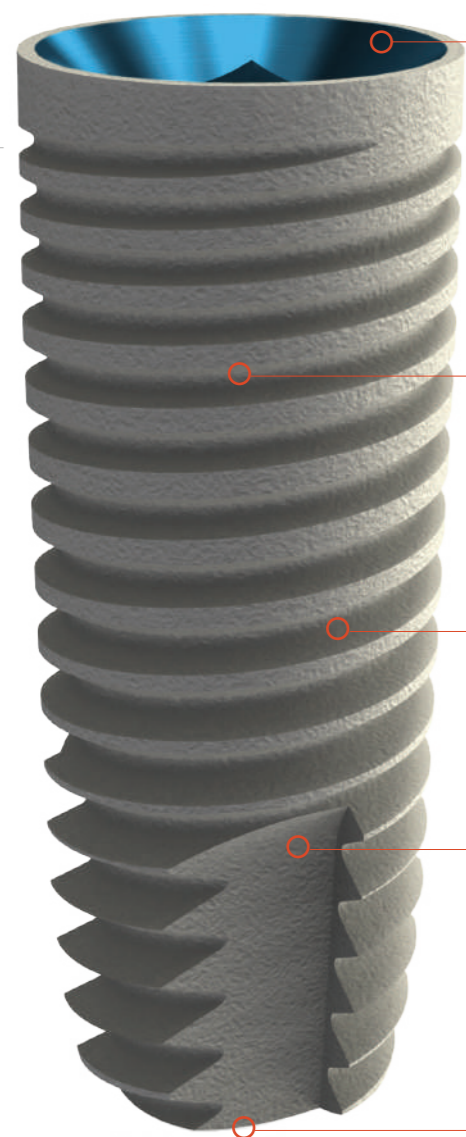
U-Razor® Implant





U-Razor® Cylindrical Dental Implant

The U-Razor® implant presents a cylindrical and conical shaped implant structure to allow high initial stability. The safe U-Shaped threads design gives the surgeon a piece of mind in a complex bone cases of type 1 bone.



One Platform for all implant diameters. Color coding by platform for quick & easy prosthetic identification during procedures. Proper abutment seating and anti-rotational engagement.

Cylindrical Conical Body
The U-shaped threads structure was designed to allow high initial and long term stability.

S.L.A Surface treatment
Sand-blasting and acid etching. Creates both micro and nano structures and eliminates various surface contaminants.

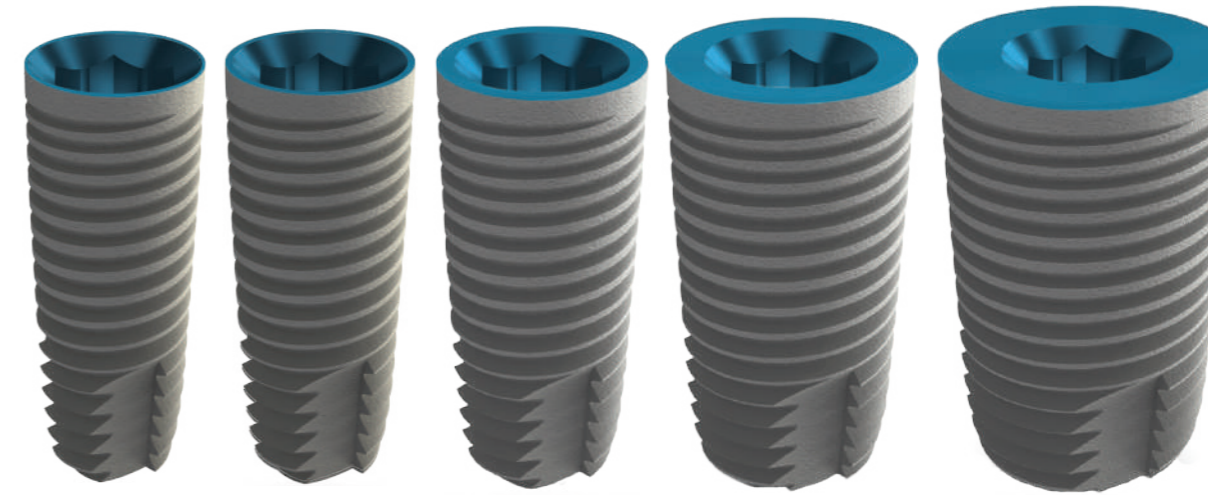
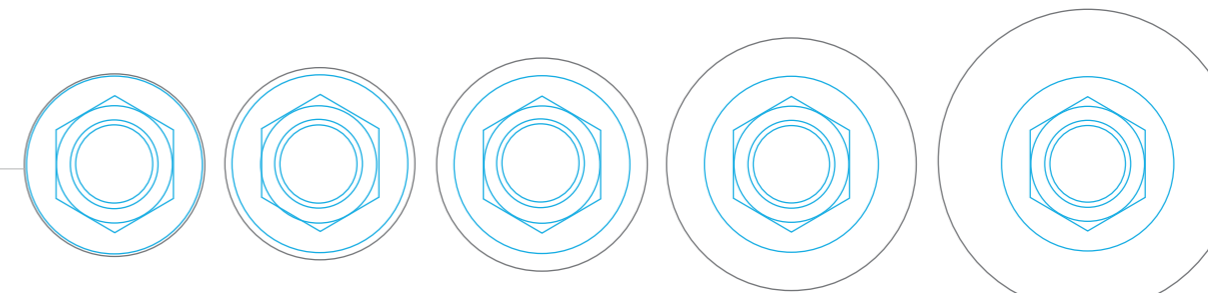
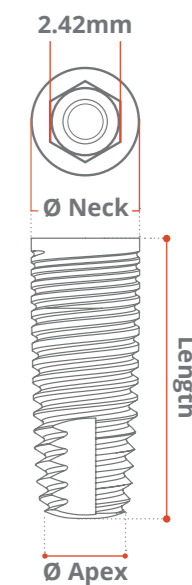
Three Spiral Channels
With self tapping properties for easier and safer insertion even in type 1 bone.

Safe Insertion
Domed apex with the combination of wide apical surface structure creates stable grip into the bone. Designed especially for hard bone types.



U-Razor® Implant Range

| L / Ø | Ø3.3 | Ø3.75 | Ø4.2 | Ø5.0 | Ø6.0 |
|--------------|-------------|--------------|-------------|-------------|-------------|
| 6mm | ---- | URZ-3706-SP | URZ-4206-SP | URZ-5006-SP | URZ-6006-SP |
| 8mm | URZ-3308-SP | URZ-3708-SP | URZ-4208-SP | URZ-5008-SP | URZ-6008-SP |
| 10mm | URZ-3310-SP | URZ-3710-SP | URZ-4210-SP | URZ-5010-SP | URZ-6010-SP |
| 11.5mm | URZ-3311-SP | URZ-3711-SP | URZ-4211-SP | URZ-5011-SP | URZ-6011-SP |
| 13mm | URZ-3313-SP | URZ-3713-SP | URZ-4213-SP | URZ-5013-SP | URZ-6013-SP |
| 16mm | URZ-3316-SP | URZ-3716-SP | URZ-4216-SP | URZ-5016-SP | ---- |
| APEXØ | Ø1.8 | Ø2.25 | Ø2.7 | Ø3.5 | Ø4.5 |



SP
2.42 Hex



U-Razor®

Drilling Procedure



› The drilling procedure is illustrated using 11.5 mm implant.

› Procedures recommended by Implanet cannot replace the judgment & clinical experience of the professional in place.

| | | | | | |
|----------------|-----------|----------|----------|---------|-------|
| Drilling Speed | 1200-1500 | 900-1200 | 800-1200 | 500-700 | 15-25 |
| Diameter | Ø1.9 | Ø2.0 | Ø2.5 | Ø2.8 | Ø3.3 |



| | | | | | | | |
|----------------|-----------|----------|----------|---------|---------|---------|-------|
| Drilling Speed | 1200-1500 | 900-1200 | 800-1200 | 500-700 | 400-700 | 200-500 | 15-25 |
| Diameter | Ø1.9 | Ø2.0 | Ø2.5 | Ø2.8 | Ø3.2 | Ø3.75 | Ø3.75 |



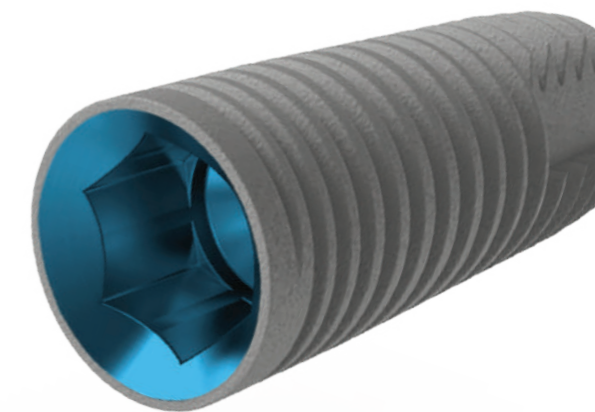
| | | | | | | | | |
|----------------|-----------|----------|----------|---------|---------|---------|---------|-------|
| Drilling Speed | 1200-1500 | 900-1200 | 800-1200 | 500-700 | 400-700 | 400-600 | 200-500 | 15-25 |
| Diameter | Ø1.9 | Ø2.0 | Ø2.5 | Ø2.8 | Ø3.2 | Ø3.65 | Ø4.2 | Ø4.2 |

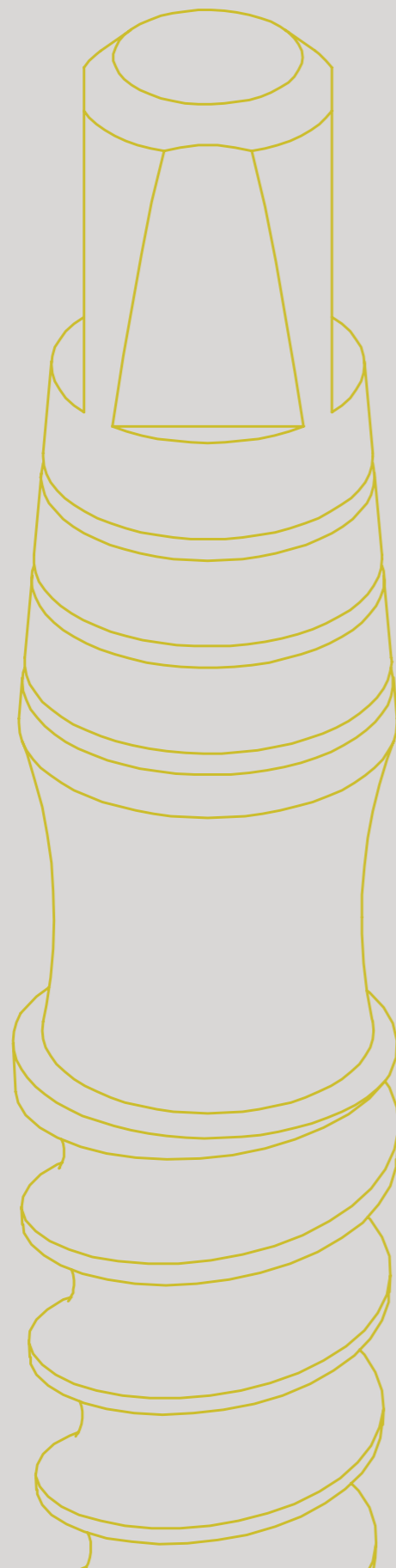


| | | | | | | | | | |
|----------------|-----------|----------|----------|---------|---------|---------|---------|---------|-------|
| Drilling Speed | 1200-1500 | 900-1200 | 800-1200 | 500-700 | 400-700 | 400-600 | 300-500 | 200-500 | 15-25 |
| Diameter | Ø1.9 | Ø2.0 | Ø2.5 | Ø2.8 | Ø3.2 | Ø3.65 | Ø4.2 | Ø5.0 | Ø5.0 |



| | | | | | | | | | | |
|----------------|-----------|----------|----------|---------|---------|---------|---------|---------|---------|-------|
| Drilling Speed | 1200-1500 | 900-1200 | 800-1200 | 500-700 | 400-700 | 400-600 | 300-500 | 200-400 | 200-500 | 15-25 |
| Diameter | Ø1.9 | Ø2.0 | Ø2.5 | Ø2.8 | Ø3.2 | Ø3.65 | Ø4.2 | Ø5.2 | Ø6.0 | Ø6.0 |





Onix® Implant





Onix® One Piece Dental Implant

The Onix® Monoblock Implant features a unique structure design that integrates both implant and prosthetic in one solid body to allow simple one-stage procedure. Onix® Implant created especially for use in narrow ridges and tight spaces and it's mostly used to restore single crowns.



Easy Adjustment

One stage - One Size abutment created for simple insertion using one driver for all diameters and perfect fit for cemented crowns and bridges.

Concave Profile

Concave emergence profile designed to resemble the natural shape of the tooth. The unique concave shape offers aesthetic results, as well as allowing the gingival tissue to grow perfectly around the narrow neck.

Dual Thread Design

Unique dual thread design with tapered body for faster insertion and optimized stability.

S.L.A Surface Treatment

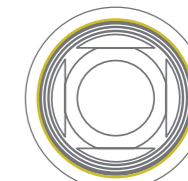
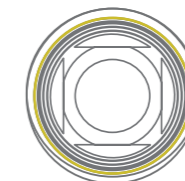
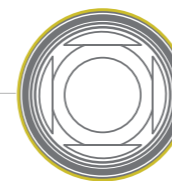
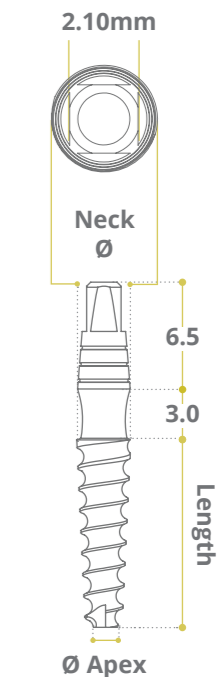
Sand-blasting and acid etching. Creates both micro and nano structures and eliminates various surface contaminants.

Self Drilling Features

Flat apex for self drilling capabilities and easy depth adjustments.

Onix® Implant Range

| L / Ø | Ø3.0 | Ø3.3 | Ø3.75 |
|--------------|-------------|-------------|--------------|
| 10mm | ONX-3010 | ONX-3310 | ONX-3710 |
| 11.5mm | ONX-3011 | ONX-3311 | ONX-3711 |
| 13mm | ONX-3013 | ONX-3313 | ONX-3713 |
| 16mm | ONX-3016 | ONX-3316 | ONX-3716 |
| APEXØ | Ø1.0 | Ø1.3 | Ø1.75 |





Onix®

Drilling Procedure



> The drilling procedure is illustrated using 11.5 mm implant.

> Procedures recommended by Implanet cannot replace the judgment & clinical experience of the professional in place.

| | | | | |
|----------------|-----------|----------|---------|-------|
| Drilling Speed | 1200-1500 | 900-1200 | 700-900 | 15-25 |
| Diameter | Ø1.9 | Ø2.0 | Ø2.5 | Ø3.0 |



| | | | | | |
|----------------|-----------|----------|---------|---------|-------|
| Drilling Speed | 1200-1500 | 900-1200 | 700-900 | 500-700 | 15-25 |
| Diameter | Ø1.9 | Ø2.0 | Ø2.5 | Ø2.8 | Ø3.3 |

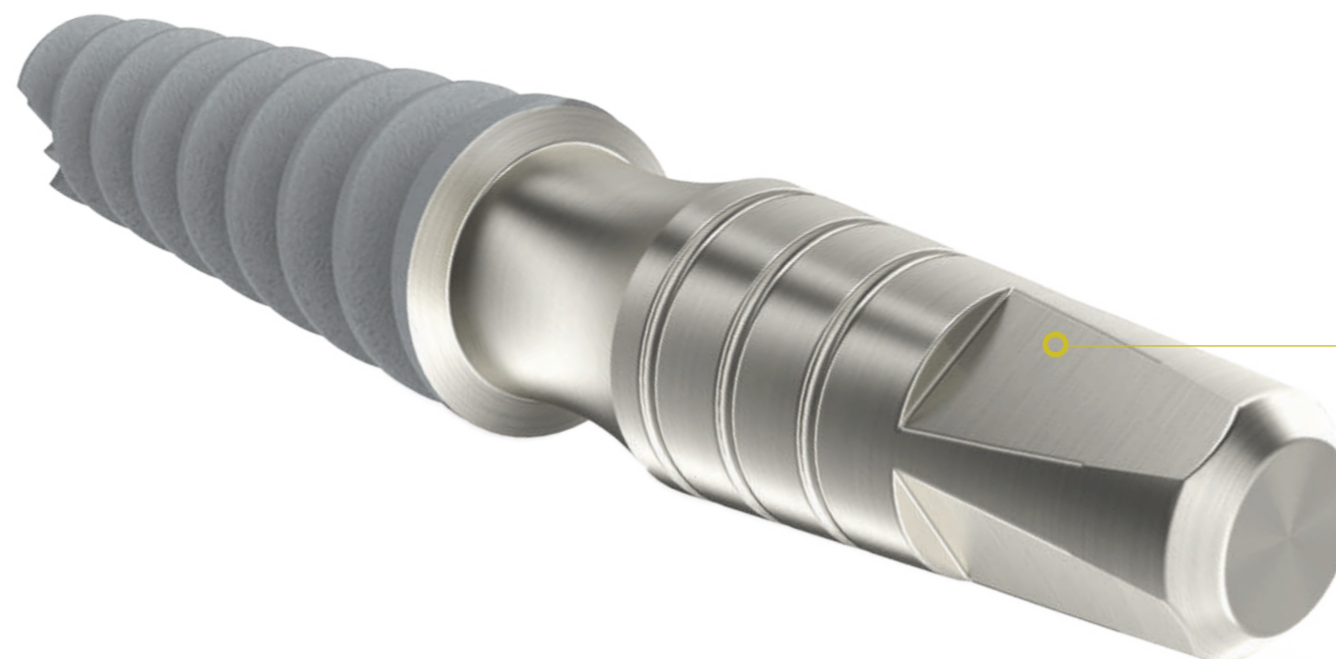


optional for Bone Types 1&2

| | | | | | | |
|----------------|-----------|----------|----------|---------|---------|-------|
| Drilling Speed | 1200-1500 | 900-1200 | 800-1200 | 500-700 | 400-700 | 15-25 |
| Diameter | Ø1.9 | Ø2.0 | Ø2.5 | Ø2.8 | Ø3.2 | Ø3.75 |



optional for Bone Types 1&2



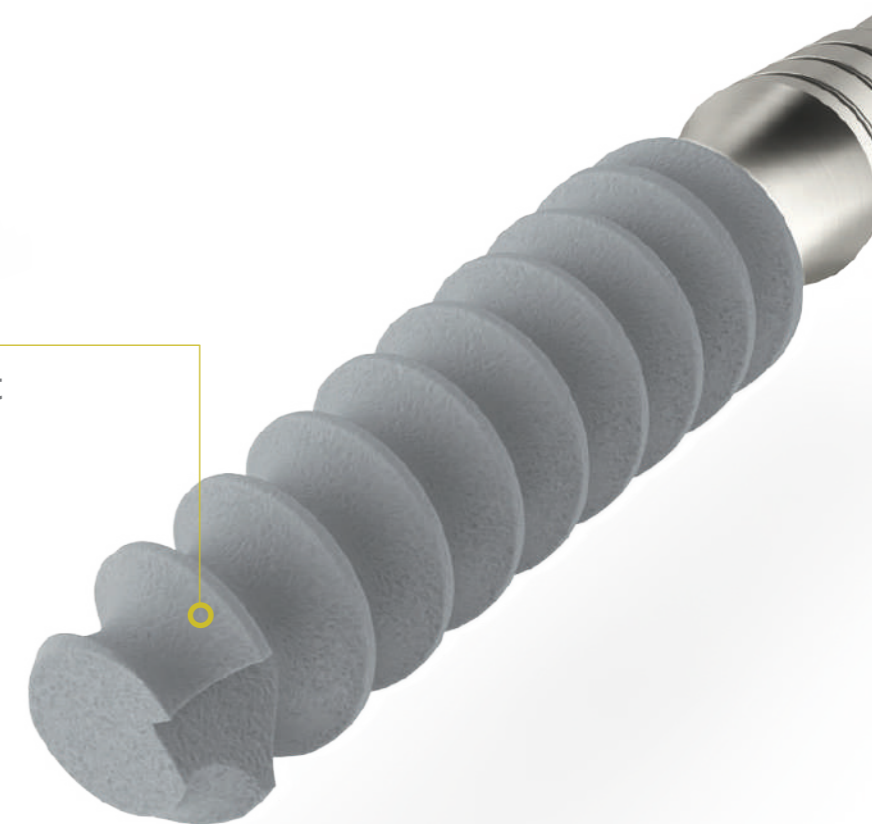
Onix® Ratchet Driver

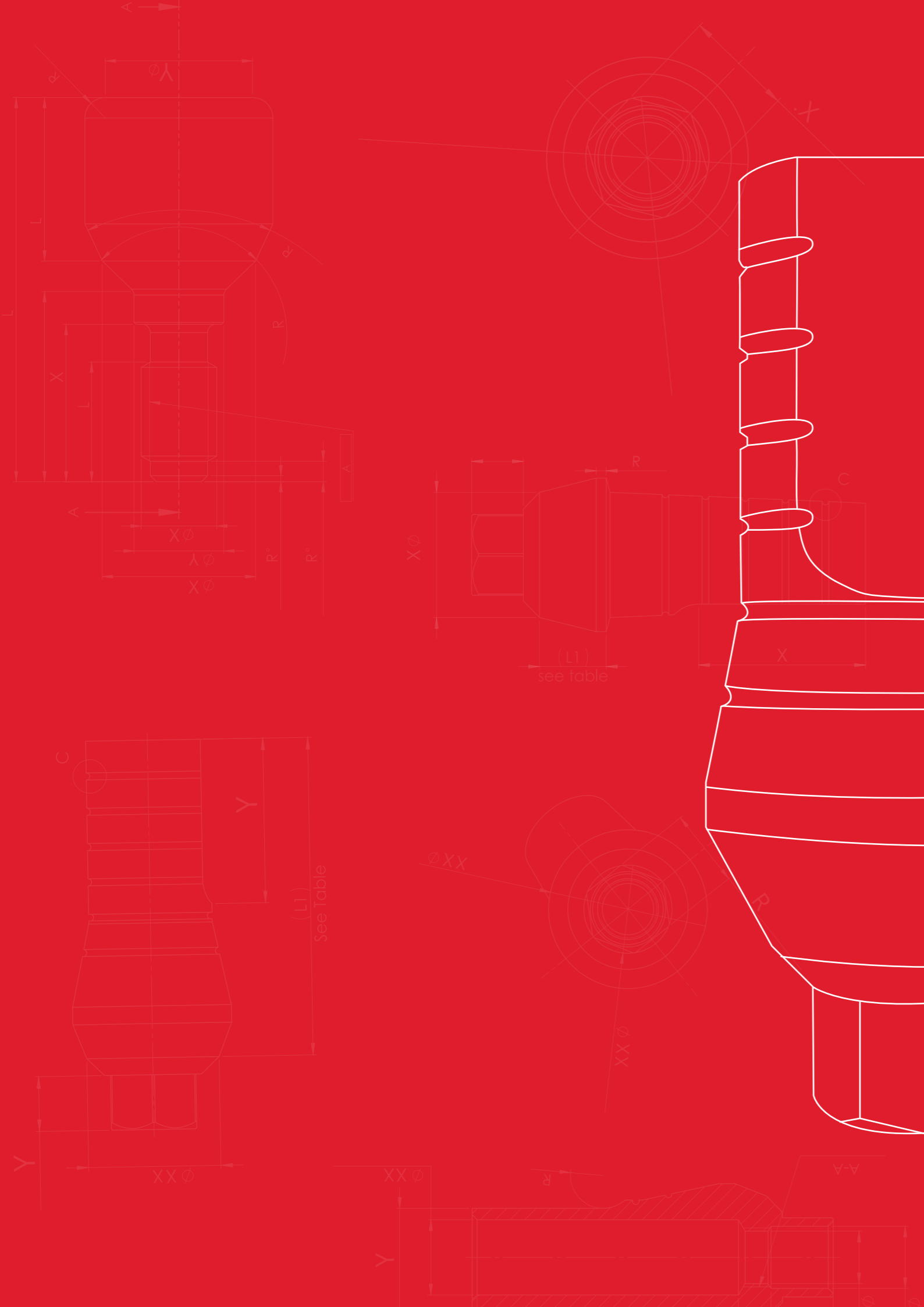
One driver fits all Onix Implant diameters, for both wrench connections.
 Ø6.35 Hex & Ø4.0 Square
 Up to 40 Ncm Torque

HRD-ONX | Page 68



S.L.A Surface Treatment
 Ti-6AL-4V-ELI





Prosthetics





Healing Abutments

Ø 3.3 Titanium Healing Abutment NP



Ø 3.8 Titanium Healing Abutment SP



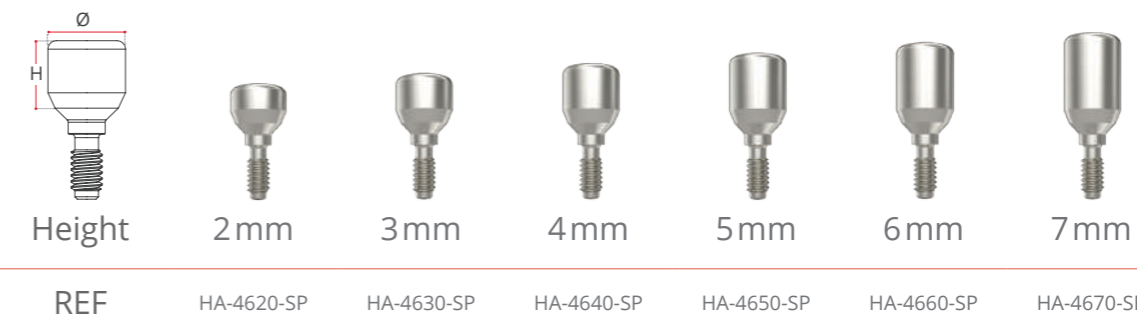
Ø 4.5 Concave Titanium Healing Abutment SP



Ø 4.5 Concave Aesthetic Titanium Healing Abutment SP



Ø 4.6 Titanium Healing Abutment SP



Ø 5.5 Titanium Healing Abutment SP



Ø 6.3 Titanium Healing Abutment SP





Ø 4.7 Zirconia Healing Abutment **SP**

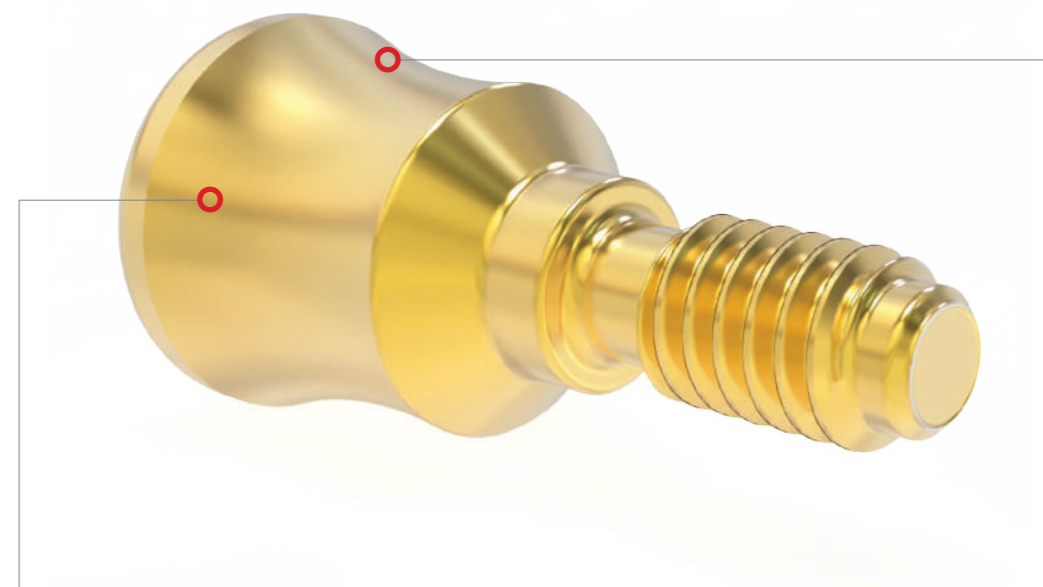
| | | | | | |
|--------|-------------|-------------|-------------|-------------|-------------|
| | | | | | |
| Height | 2mm | 3mm | 4mm | 5mm | 6mm |
| REF | HAZ-4702-SP | HAZ-4703-SP | HAZ-4704-SP | HAZ-4705-SP | HAZ-4706-SP |



● **1.72 UNF**
SP Screw size

● **M1.6**
NP Screw size

● **Ø1.25 Hex**
Up to 25 Ncm



● **Enhanced Aesthetics**

Golden anodized abuments is made to minimize the visibility of metal showing through the gingiva and implant crown.

Ti-6AL-4V-ELI

● **Concave Profile**

Concave emergence profile designed to resemble the natural shape of the tooth. The unique concave shape offers aesthetic results, as well as allowing the gingival tissue to grow perfectly around the narrow neck.



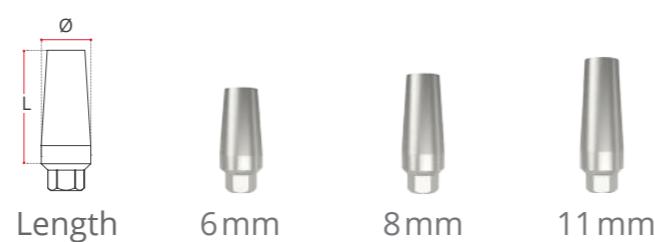
Straight Titanium Abutments

Ø 3.5 Straight Abutment NP



| | | |
|--------|------------|------------|
| Length | 9mm | 11mm |
| REF | TA-3509-NP | TA-3511-NP |

Ø 3.7 Straight Slim Abutment SP



| | | | |
|--------|------------|------------|------------|
| Length | 6mm | 8mm | 11mm |
| REF | TA-3706-SP | TA-3708-SP | TA-3711-SP |

Ø 4.5 Straight Abutment SP



| | | | | | | |
|--------|------------|------------|------------|------------|------------|------------|
| Length | 5mm | 7mm | 9mm | 11mm | 13mm | 15mm |
| REF | TA-4505-SP | TA-4507-SP | TA-4509-SP | TA-4511-SP | TA-4513-SP | TA-4515-SP |

Ø 5.4 Straight Wide Abutment SP



| | | |
|--------|------------|------------|
| Length | 9mm | 11mm |
| REF | TA-5409-SP | TA-5411-SP |

● Included

● **Titanium Screw**
 Each abutment is supplied with its corresponded screw.
Ti-6AL-4V-ELI
 Up to 25 Ncm



Ø 3.6 Straight Shoulder Abutment NP



| | | | | |
|--------|-------------|-------------|-------------|-------------|
| Height | 1mm | 2mm | 3mm | 4mm |
| REF | TSA-3610-NP | TSA-3620-NP | TSA-3630-NP | TSA-3640-NP |

Ø 3.7 Straight Slim Shoulder Abutment SP



| | | | |
|--------|-------------|-------------|-------------|
| Height | 0.5mm | 1.5mm | 2.5mm |
| REF | TSA-3700-SP | TSA-3715-SP | TSA-3725-SP |

Ø 4.6 Straight Shoulder Abutment SP



| | | | | |
|--------|-------------|-------------|-------------|-------------|
| Height | 1mm | 2mm | 3mm | 4mm |
| REF | TSA-4610-SP | TSA-4620-SP | TSA-4630-SP | TSA-4640-SP |

Ø 5.5 Straight Wide Shoulder Abutment SP



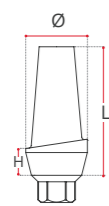
| | | | | |
|--------|-------------|-------------|-------------|-------------|
| Height | 1mm | 2mm | 3mm | 4mm |
| REF | TSA-5510-SP | TSA-5520-SP | TSA-5530-SP | TSA-5540-SP |

● Included



Straight Titanium Anatomic Abutments

Ø 4.6 Straight Anatomic Abutment SP



Height



1 mm



2 mm



3 mm

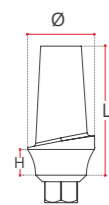


4 mm

| | | | | |
|--------|-------|-------|--------|--------|
| Length | 8.5mm | 9.5mm | 10.5mm | 11.5mm |
|--------|-------|-------|--------|--------|

| | | | | |
|-----|-------------|-------------|-------------|-------------|
| REF | TAA-4610-SP | TAA-4620-SP | TAA-4630-SP | TAA-4640-SP |
|-----|-------------|-------------|-------------|-------------|

Ø 4.6 Straight Concave Anatomic Abutment SP



Height



1 mm



2 mm



3 mm

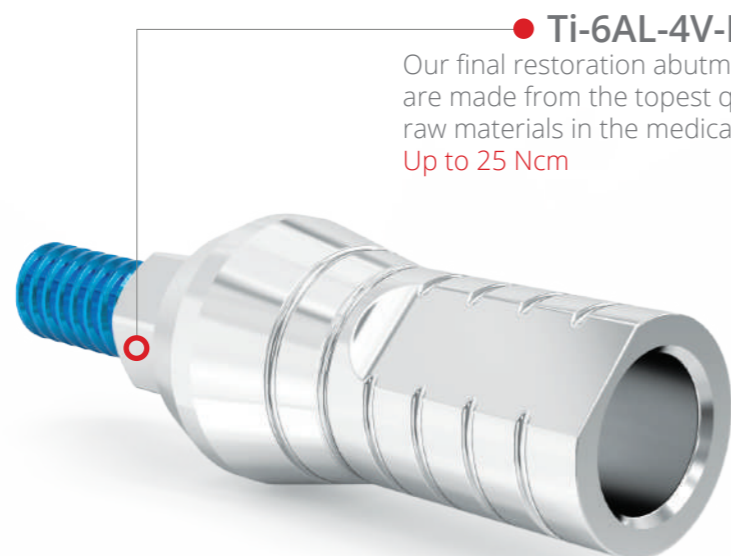


4 mm

| | | | | |
|--------|-------|-------|--------|--------|
| Length | 8.5mm | 9.5mm | 10.5mm | 11.5mm |
|--------|-------|-------|--------|--------|

| | | | | |
|-----|---------------|---------------|---------------|---------------|
| REF | TAA-CT4610-SP | TAA-CT4620-SP | TAA-CT4630-SP | TAA-CT4640-SP |
|-----|---------------|---------------|---------------|---------------|

● Included



● Ti-6AL-4V-ELI

Our final restoration abutments are made from the topst quality raw materials in the medical industry. Up to 25 Ncm



Angled Titanium Abutments

15° Angled Abutment NP



Length



9 mm

REF

TAN-1509-NP

15° Angled Abutment SP



Length



7 mm



9 mm



11 mm

REF

TAN-1507-SP

TAN-1509-SP

TAN-1511-SP

25° Angled Abutment NP



Length

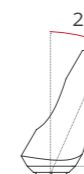


9 mm

REF

TAN-2509-NP

25° Angled Abutment SP



Length



7 mm



9 mm



11 mm

REF

TAN-2507-SP

TAN-2509-SP

TAN-2511-SP

35° Angled Abutment SP



Length



9 mm

REF

TAN-3509-SP

45° Angled Abutment SP



Length



9 mm

REF

TAN-4509-SP

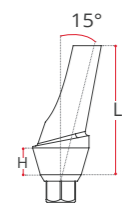
● Included





Anatomic Angled Titanium Abutments

15° Anatomic Angled Abutment NP



Height

1 mm

2 mm

3 mm

4 mm



Length

8.5mm

9.5mm

10.5mm

11.5mm

REF

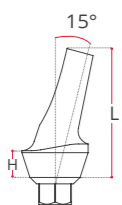
TANA-1510-NP

TANA-1520-NP

TANA-1530-NP

TANA-1540-NP

15° Anatomic Angled Abutment SP



Height

1 mm

2 mm

3 mm

4 mm



Length

8.5mm

9.5mm

10.5mm

11.5mm

REF

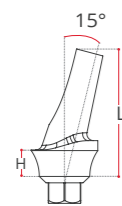
TANA-1510-SP

TANA-1520-SP

TANA-1530-SP

TANA-1540-SP

15° Concave Anatomic Angled Abutment SP



Height

1 mm

2 mm

3 mm

4 mm



Length

8.5mm

9.5mm

10.5mm

11.5mm

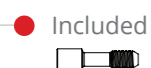
REF

TANA-CT1510-SP

TANA-CT1520-SP

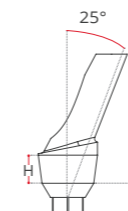
TANA-CT1530-SP

TANA-CT1540-SP



Anatomic Angled Titanium Abutments

25° Anatomic Angled Abutment NP



Height

1 mm

2 mm

3 mm

4 mm



Length

8.5mm

9.5mm

10.5mm

11.5mm

REF

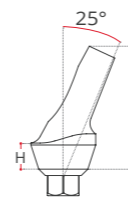
TANA-2510-NP

TANA-2520-NP

TANA-2530-NP

TANA-2540-NP

25° Anatomic Angled Abutment SP



Height

1 mm

2 mm

3 mm

4 mm



Length

8.5mm

9.5mm

10.5mm

11.5mm

REF

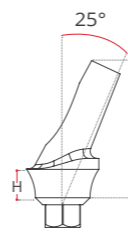
TANA-2510-SP

TANA-2520-SP

TANA-2530-SP

TANA-2540-SP

25° Concave Anatomic Angled Abutment SP



Height

1 mm

2 mm

3 mm

4 mm



Length

8.5mm

9.5mm

10.5mm

11.5mm

REF

TANA-CT2510-SP

TANA-CT2520-SP

TANA-CT2530-SP

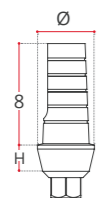
TANA-CT2540-SP





Castable Anatomic Abutments

Ø 4.6 Straight Anatomic Plastic Abutment **SP**



Height



1 mm



2 mm



3 mm



4 mm

REF

CAA-4610-SP

CAA-4620-SP

CAA-4630-SP

CAA-4640-SP

15° Angled Anatomic Plastic Abutment **SP**



Height



1 mm



2 mm



3 mm



4 mm

Length

8.5 mm

9.5 mm

10.5 mm

11.5 mm

REF

CANA-1510-SP

CANA-1520-SP

CANA-1530-SP

CANA-1540-SP

25° Angled Anatomic Plastic Abutment **SP**



Height



1 mm



2 mm



3 mm



4 mm

Length

8.5 mm

9.5 mm

10.5 mm

11.5 mm

REF

CANA-2510-SP

CANA-2520-SP

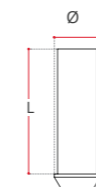
CANA-2530-SP

CANA-2540-SP



Castable Abutments

Ø 3.5 Plastic Abutment **NP**



Length



10.5 mm



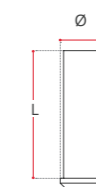
10.5 mm

REF

CA-3510-NP

CA-3510-NP-R

Ø 3.7 Plastic Abutment **SP**



Length



10.5 mm



10.5 mm

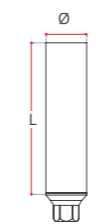
REF

CA-3710-SP

CA-3710-SP-R

Titanium Base Plastic UCLA Abutment

Ø 3.8 NP



Height



0.5 mm



0.5 mm

Length

10.5 mm

10.5 mm

REF

CTA-3810-NP

CTA-3810-NP-R

Ø 4.5 SP



Height



0.5 mm



0.5 mm

Length

10.5 mm

10.5 mm

REF

CTA-4510-SP

CTA-4510-SP-R

Ø 4.5 Chrome-Cobalt Base Plastic UCLA Abutment **SP**



Height



0.5 mm



0.5 mm



1.5 mm



1.5 mm



3.0 mm



3.0 mm

Length

10.5 mm

10.5 mm

11.5 mm

11.5 mm

13.0 mm

13.0 mm

REF

CCA-4505-SP

CCA-4505-SP-R

CCA-4515-SP

CCA-4515-SP-R

CCA-4530-SP

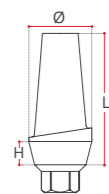
CCA-4530-SP-R





Zirconia Anatomical Ti-Base Abutments

Ø 4.6 Straight Anatomical Zirconia Abutment NP



Height



0.5mm



1mm



2mm

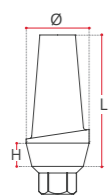


3mm

Length 9mm 9.5mm 10.5mm 11.5mm

REF ZAA-4600-NP ZAA-4610-NP ZAA-4620-NP ZAA-4630-NP

Ø 4.6 Straight Anatomical Zirconia Abutment SP



Height



0.5mm



1mm



2mm

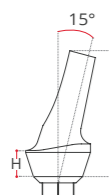


3mm

Length 9mm 9.5mm 10.5mm 11.5mm

REF ZAA-4600-SP ZAA-4610-SP ZAA-4620-SP ZAA-4630-SP

15° Angled Anatomical Zirconia Abutment NP



Height



0.5mm



1mm



2mm



3mm

Length 9mm 9.5mm 10.5mm 11.5mm

REF ZANA-1500-NP ZANA-1510-NP ZANA-1520-NP ZANA-1530-NP



15° Angled Anatomical Zirconia Abutment SP



Height



0.5mm



1mm



2mm



3mm

Length 9mm 9.5mm 10.5mm 11.5mm

REF ZANA-1500-SP ZANA-1510-SP ZANA-1520-SP ZANA-1530-SP

25° Angled Anatomical Zirconia Abutment NP



Height



0.5mm



1mm



2mm

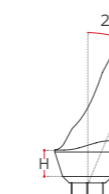


3mm

Length 9mm 9.5mm 10.5mm 11.5mm

REF ZANA-2500-NP ZANA-2510-NP ZANA-2520-NP ZANA-2530-NP

25° Angled Anatomical Zirconia Abutment SP



Height



0.5mm



1mm



2mm



3mm

Length 9mm 9.5mm 10.5mm 11.5mm

REF ZANA-2500-SP ZANA-2510-SP ZANA-2520-SP ZANA-2530-SP





Temporary Abutments

Ø 4.6 Straight Temporary Titanium Abutment **SP**

| | | | |
|--------|-------------|--------|---------------|
| | | | |
| Height | 2mm | Height | 2mm |
| Length | 9.5mm | Length | 9.5mm |
| REF | TTA-4609-SP | REF | TTA-4609-SP-R |

Ø 4.6 Straight Anatomic Peek Abutment **SP**

| | | | | |
|--------|------------|------------|------------|------------|
| | | | | |
| Height | 1mm | 2mm | 3mm | 4mm |
| Length | 8.5mm | 9.5mm | 10.5mm | 11.5mm |
| REF | PA-4610-SP | PA-4620-SP | PA-4630-SP | PA-4640-SP |

15° Angled Anatomic Peek Abutment **SP**

| | | | | |
|--------|--------------|--------------|--------------|--------------|
| | | | | |
| Height | 1mm | 2mm | 3mm | 4mm |
| Length | 8.5mm | 9.5mm | 10.5mm | 11.5mm |
| REF | PANA-1510-SP | PANA-1520-SP | PANA-1530-SP | PANA-1540-SP |



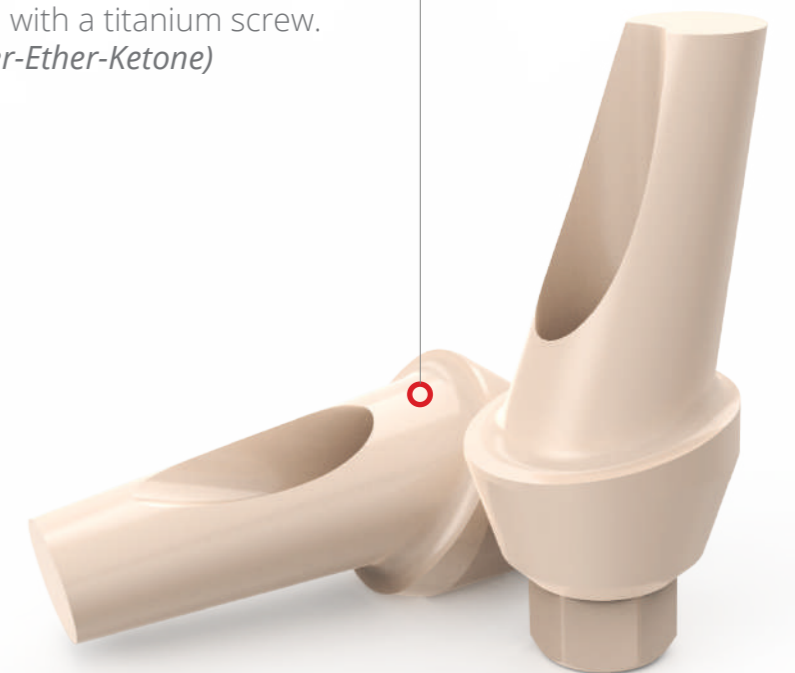
25° Angled Anatomic Peek Abutment **SP**

| | | | | |
|--------|--------------|--------------|--------------|--------------|
| | | | | |
| Height | 1mm | 2mm | 3mm | 4mm |
| Length | 8.5mm | 9.5mm | 10.5mm | 11.5mm |
| REF | PANA-2510-SP | PANA-2520-SP | PANA-2530-SP | PANA-2540-SP |

● Included

PEEK ●

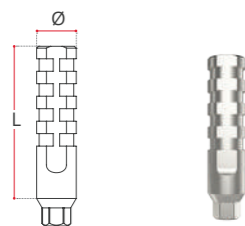
Used for fabrication of cement or screw retained provisional restorations (up to 30 days). Supplied with a titanium screw.
PEEK (Poly-Ether-Ether-Ketone)
 Up to 25 Ncm





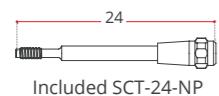
Impression Copings

Ø 3.2 Open Tray NP



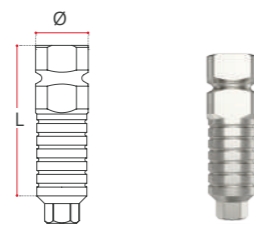
Length 12mm

REF TOT-3212-NP



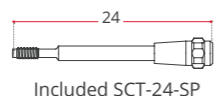
Included SCT-24-NP

Ø 4.0 Open Tray SP



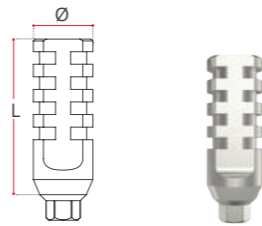
Length 12mm

REF TOT-4012-SP



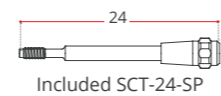
Included SCT-24-SP

Ø 4.8 Open Tray SP



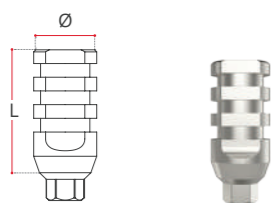
Length 12mm

REF TOT-4812-SP



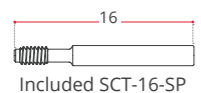
Included SCT-24-SP

Ø 4.6 Open Tray Short SP



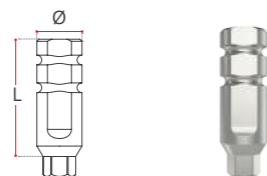
Length 8mm

REF TOT-4608-SP



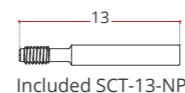
Included SCT-16-SP

Ø 3.2 Closed Tray NP



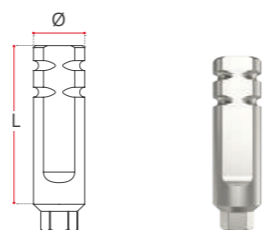
Length 8mm

REF TCT-3208-NP



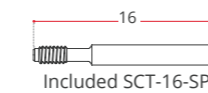
Included SCT-13-NP

Ø 3.8 Closed Tray SP



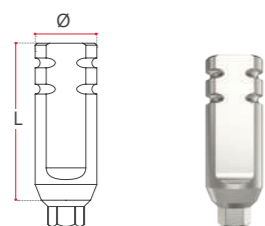
Length 12mm

REF TCT-3812-SP



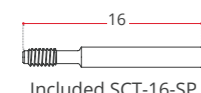
Included SCT-16-SP

Ø 4.7 Closed Tray SP



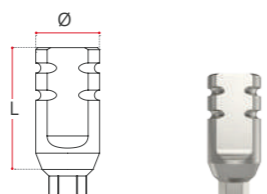
Length 12mm

REF TCT-4712-SP



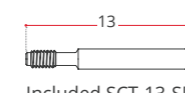
Included SCT-16-SP

Ø 4.7 Closed Tray Short SP



Length 8mm

REF TCT-4708-SP



Included SCT-13-SP

Transfer Screw

Supplied with each impression coping according to the impression type.

Medical Grade Stainless Steel

Up to 30 Ncm

1.25 Hex Driver Connection



Impression Copings

We provide a choice between open or closed tray impression techniques. A wide variety of copings are available for either implant level or abutment level procedures and for all restoration types. *Medical Grade Stainless Steel*



Ø 4.7 Closed Tray Press Clip **SP**



| | | |
|--------|-------------|-------------|
| Length | 9 mm | 13 mm |
| REF | TCP-4709-SP | TCP-4713-SP |

Ø 4.8 Transfer Abutment w/ Plastic Transfer **NP**



| | | | | | |
|--------|------------|------------|------------|------------|------------|
| Height | 1 mm | 2 mm | 3 mm | 4 mm | 5 mm |
| REF | TB-4810-NP | TB-4820-NP | TB-4830-NP | TB-4840-NP | TB-4850-NP |

Ø 4.8 Transfer Abutment w/ Plastic Transfer **SP**



| | | | | | |
|--------|------------|------------|------------|------------|------------|
| Height | 1 mm | 2 mm | 3 mm | 4 mm | 5 mm |
| REF | TB-4810-SP | TB-4820-SP | TB-4830-SP | TB-4840-SP | TB-4850-SP |

● Included



Screw-Less
press clip solution.
Medical Grade Stainless Steel



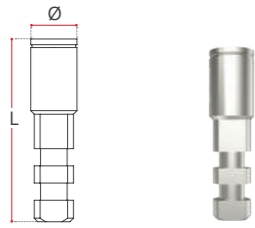
● **Snap-On System**
Simple to use snap on cap
for direct impression
POM Plastic
Press Click System

● **Transfer Abutment**
Used to take direct impression and
also used as final restoration cemented
abutment.
Ti-6AL-4V-ELI
Up to 25 Ncm



Implant Analogs

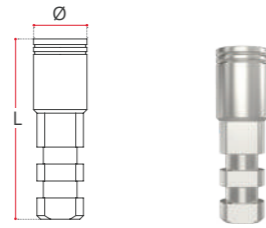
Ø 3.3 Analog NP



Length 12.75 mm

REF IA-3312-NP

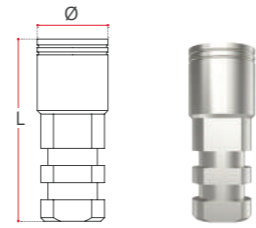
Ø 3.8 Analog SP



Length 12.75 mm

REF IA-3812-SP

Ø 5.0 Wide Analog SP



Length 12.75 mm

REF IA-5012-SP

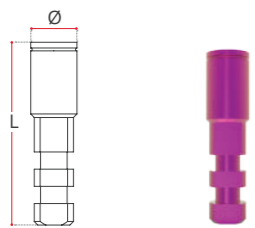
Medical Grade
Stainless Steel

Platform
Identification
1 Stripe NP
2 Stripes SP

2.1 Hex
NP

2.42 Hex
SP

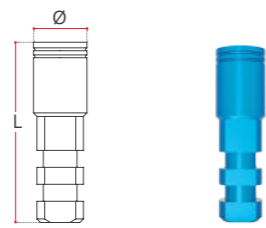
Ø 3.3 Analog NP



Length 12.75 mm

REF ITA-3312-NP

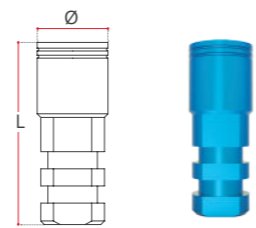
Ø 3.8 Analog SP



Length 12.75 mm

REF ITA-3812-SP

Ø 5.0 Wide Analog SP



Length 12.75 mm

REF ITA-5012-SP

Titanium Implant Analog
Color anodized for easy platform
identification.
Blue SP
Purple NP
Ti-6AL-4V-ELI



Abutment Screws

NP



| | | |
|--------|-----------|------------|
| Length | 8 mm | 8 mm |
| REF | SC-M16-NP | SCA-M16-NP |

SP



| | | |
|--------|-----------|------------|
| Length | 8 mm | 8 mm |
| REF | SC-172-SP | SCA-172-SP |

Zirconia Abutment screws

NP



| | | |
|--------|----------|-----------|
| Length | 8 mm | 8 mm |
| REF | SC-ZR-NP | SCA-ZR-NP |

SP



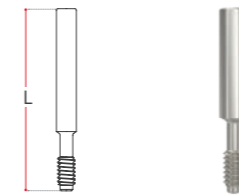
| | | |
|--------|----------|-----------|
| Length | 8 mm | 8 mm |
| REF | SC-ZR-SP | SCA-ZR-SP |

● **Titanium Screw**
 Each abutment is supplied with its corresponded screw.
Ti-6AL-4V-ELI
 Up to 25 Ncm



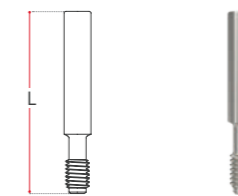
Transfer Screws

Closed Tray **NP**



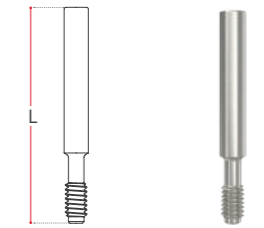
| | |
|--------|-----------|
| Length | 13 mm |
| REF | SCT-13-NP |

Closed Tray **SP**



| | |
|--------|-----------|
| Length | 13 mm |
| REF | SCT-13-SP |

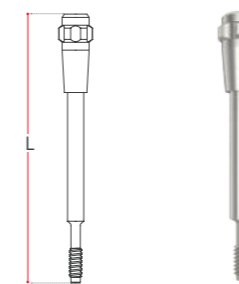
Closed/ Open **SP**



| | |
|--------|-----------|
| Length | 16 mm |
| REF | SCT-16-SP |

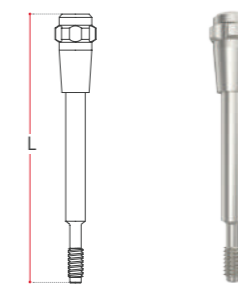
Open Tray

NP

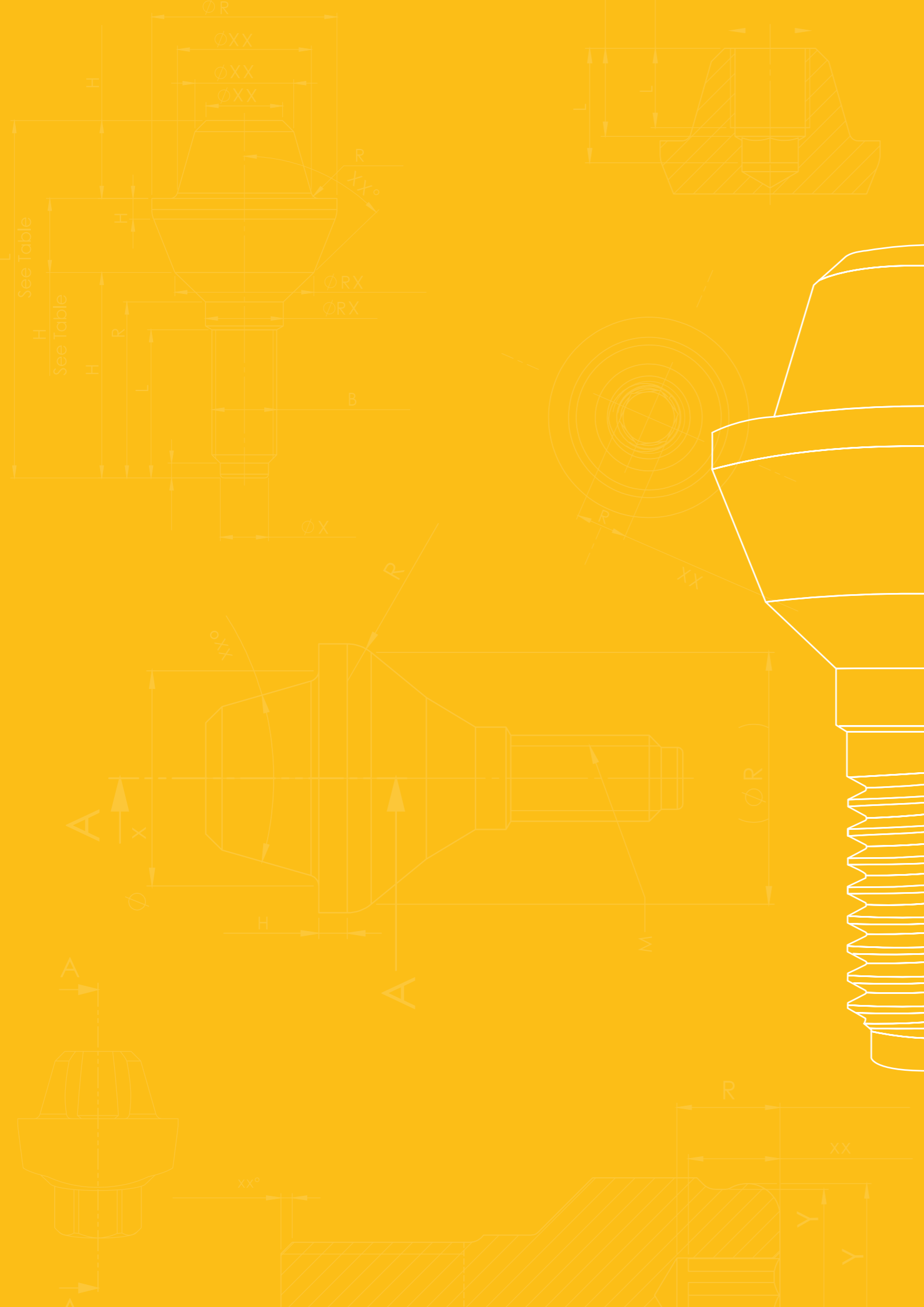


| | |
|--------|-----------|
| Length | 24 mm |
| REF | SCT-24-NP |

SP



| | |
|--------|-----------|
| Length | 24 mm |
| REF | SCT-24-SP |



Multi Systems





Ball Attachments

Ø 4.0 Straight Ball Attachment NP

| | | | | | | | |
|--------|------------|------------|------------|------------|------------|------------|------------|
| | | | | | | | |
| Height | 0.5mm | 1mm | 2mm | 3mm | 4mm | 5mm | 6mm |
| REF | BA-4000-NP | BA-4010-NP | BA-4020-NP | BA-4030-NP | BA-4040-NP | BA-4050-NP | BA-4060-NP |

Ø 4.0 Straight Ball Attachment SP

| | | | | | | | |
|--------|------------|------------|------------|------------|------------|------------|------------|
| | | | | | | | |
| Height | 0.5mm | 1mm | 2mm | 3mm | 4mm | 5mm | 6mm |
| REF | BA-4000-SP | BA-4010-SP | BA-4020-SP | BA-4030-SP | BA-4040-SP | BA-4050-SP | BA-4060-SP |

Ø 4.0 Straight Aesthetic Ball Attachment NP

| | | | | | | | |
|--------|-------------|-------------|-------------|-------------|-------------|-------------|-------------|
| | | | | | | | |
| Height | 0.5mm | 1mm | 2mm | 3mm | 4mm | 5mm | 6mm |
| REF | BA-T4000-NP | BA-T4010-NP | BA-T4020-NP | BA-T4030-NP | BA-T4040-NP | BA-T4050-NP | BA-T4060-NP |

Ø 4.0 Straight Aesthetic Ball Attachment SP

| | | | | | | | |
|--------|-------------|-------------|-------------|-------------|-------------|-------------|-------------|
| | | | | | | | |
| Height | 0.5mm | 1mm | 2mm | 3mm | 4mm | 5mm | 6mm |
| REF | BA-T4000-SP | BA-T4010-SP | BA-T4020-SP | BA-T4030-SP | BA-T4040-SP | BA-T4050-SP | BA-T4060-SP |



Ø 4.0 Ball Attachment Analog

| | |
|--------|----------|
| | |
| Length | 9.5mm |
| REF | BA-AN-SP |

- 1.72 UNF SP Screw size
- M1.6 NP Screw size

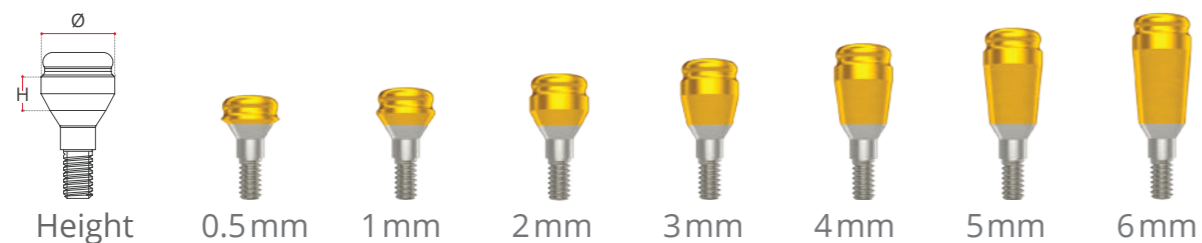
Ball Attachment Components

| | | | | | |
|---------------------|--------------------|----------------------|---------------------|-----------------|--------------------|
| | | | | | |
| Clear Retention Cap | Pink Retention Cap | Yellow Retention Cap | Black Retention Cap | Metal Housing | Protective Disc |
| Standard 1.3 kg | Soft 0.9 kg | Extra Soft 0.5 kg | Lab Use | Stainless Steel | Retentive Silicone |
| BA-RCC13 | BA-RCP09 | BA-RCY05 | BA-RCB00 | BA-MH | BA-PDR |



Click Attachments

Ø 4.0 Straight Click Attachment NP



| | | | | | | | |
|-----|--------------|--------------|--------------|--------------|--------------|--------------|--------------|
| REF | LOC-T4000-NP | LOC-T4010-NP | LOC-T4020-NP | LOC-T4030-NP | LOC-T4040-NP | LOC-T4050-NP | LOC-T4060-NP |
|-----|--------------|--------------|--------------|--------------|--------------|--------------|--------------|

Ø 4.0 Straight Click Attachment SP



| | | | | | | | |
|-----|--------------|--------------|--------------|--------------|--------------|--------------|--------------|
| REF | LOC-T4000-SP | LOC-T4010-SP | LOC-T4020-SP | LOC-T4030-SP | LOC-T4040-SP | LOC-T4050-SP | LOC-T4060-SP |
|-----|--------------|--------------|--------------|--------------|--------------|--------------|--------------|

17° Angled Click Attachment SP



| | | | | |
|-----|---------------|---------------|---------------|---------------|
| REF | LOCA-T1700-SP | LOCA-T1710-SP | LOCA-T1720-SP | LOCA-T1730-SP |
|-----|---------------|---------------|---------------|---------------|

30° Angled Click Attachment SP

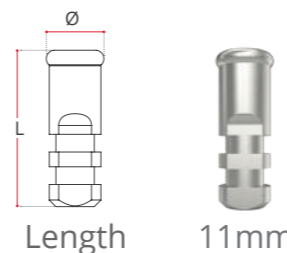


| | | | | |
|-----|---------------|---------------|---------------|---------------|
| REF | LOCA-T3000-SP | LOCA-T3010-SP | LOCA-T3020-SP | LOCA-T3030-SP |
|-----|---------------|---------------|---------------|---------------|

● Included

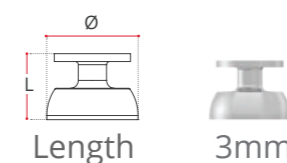


Ø 4.0 Click Attachment Analog



| | |
|-----|--------|
| REF | LOC-AN |
|-----|--------|

Ø 4.5 Direct Impression for Click Attachment



| | |
|-----|--------|
| REF | LOC-TR |
|-----|--------|

Impression Coping

For direct impression from the Click Attachment Abutment.

Assembled w/ *Pink Cap*
Medical grade Stainless Steel



Click Attachment Components

| | | | | | | |
|---------------------|--------------------|----------------------|----------------------|---------------------|-----------------|--------------------|
| | | | | | | |
| Clear Retention Cap | Pink Retention Cap | Yellow Retention Cap | Purple Retention Cap | Black Retention Cap | Metal Housing | Protective Disc |
| Standard 1.8 kg | Soft 1.2 kg | Extra Soft 0.6 kg | Hard 2.7 kg | Lab Use | Stainless Steel | Retentive Silicone |
| LOC-RCC18 | LOC-RCP12 | LOC-RCY06 | LOC-RCP27 | LOC-RCB00 | LOC-MH | LOC-PDR |



Straight Multi Unit

Ø 5.0 Straight Multi Unit NP



REF MU-5010-NP MU-5020-NP MU-5030-NP MU-5040-NP MU-5050-NP MU-5060-NP

Ø 5.0 Straight Multi Unit SP



REF MU-5010-SP MU-5020-SP MU-5030-SP MU-5040-SP MU-5050-SP MU-5060-SP

Ø 5.0 Straight Aesthetic Multi Unit NP



REF MU-T5010-NP MU-T5020-NP MU-T5030-NP MU-T5040-NP MU-T5050-NP MU-T5060-NP

Ø 5.0 Straight Aesthetic Multi Unit SP



REF MU-T5010-SP MU-T5020-SP MU-T5030-SP MU-T5040-SP MU-T5050-SP MU-T5060-SP

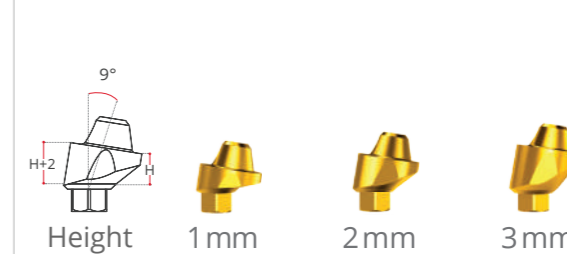
Angled Multi Unit

9° Angled Multi Unit SP



REF MUA-0910-SP MUA-0920-SP MUA-0930-SP

9° Aesthetic Angled Multi Unit SP



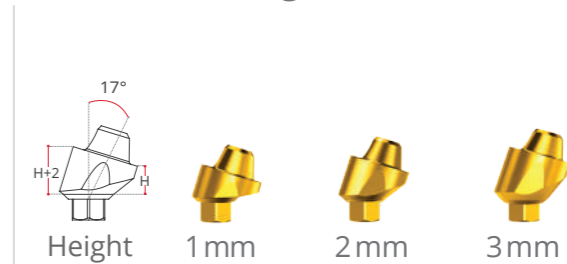
REF MUA-T0910-SP MUA-T0920-SP MUA-T0930-SP

17° Angled Multi Unit SP



REF MUA-1710-SP MUA-1720-SP MUA-1730-SP

17° Aesthetic Angled Multi Unit SP



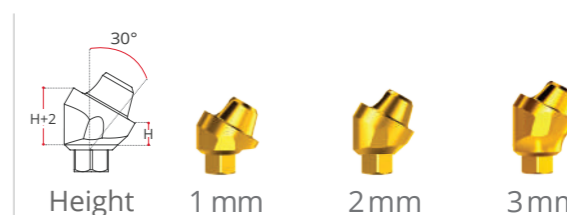
REF MUA-T1710-SP MUA-T1720-SP MUA-T1730-SP

30° Angled Multi Unit SP



REF MUA-3010-SP MUA-3020-SP MUA-3030-SP

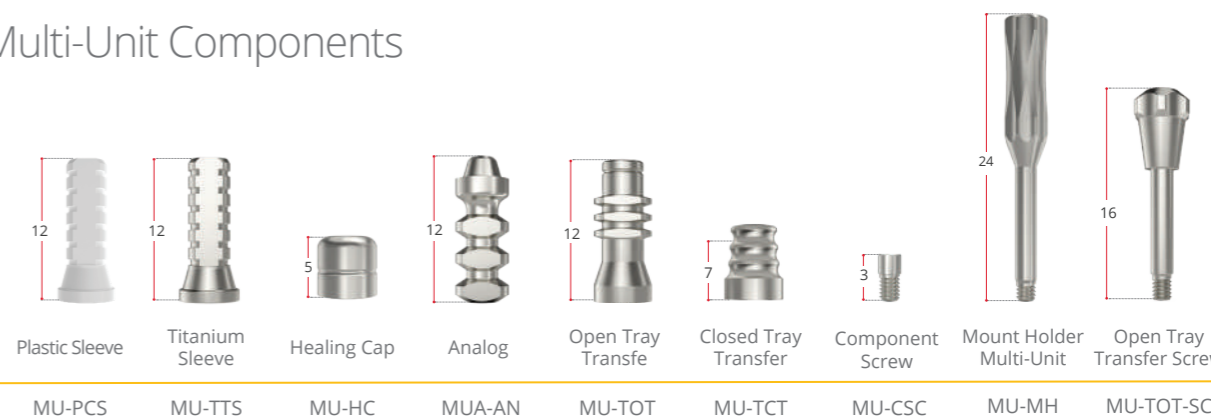
30° Aesthetic Angled Multi Unit SP



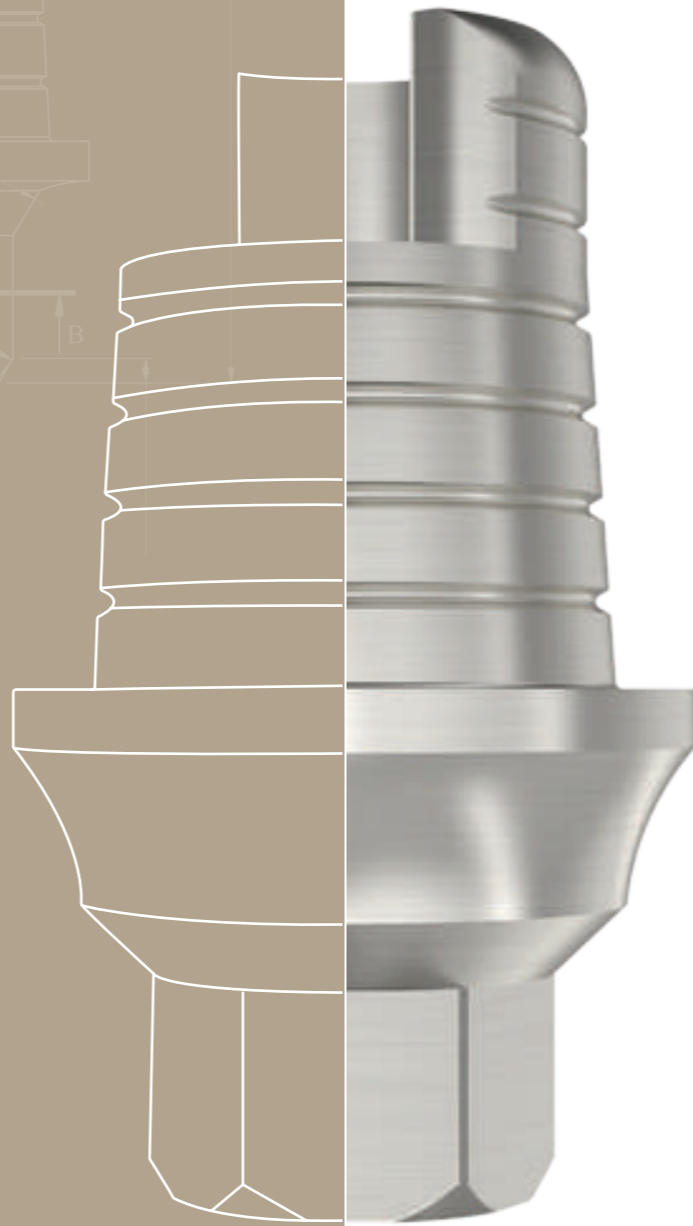
REF MUA-T3010-SP MUA-T3020-SP MUA-T3030-SP



Multi-Unit Components



MU-PCS MU-TTS MU-HC MUA-AN MU-TOT MU-TCT MU-CSC MU-MH MU-TOT-SC



Digital Solutions





CAD/CAM

Ø 3.5 Scan Body NP



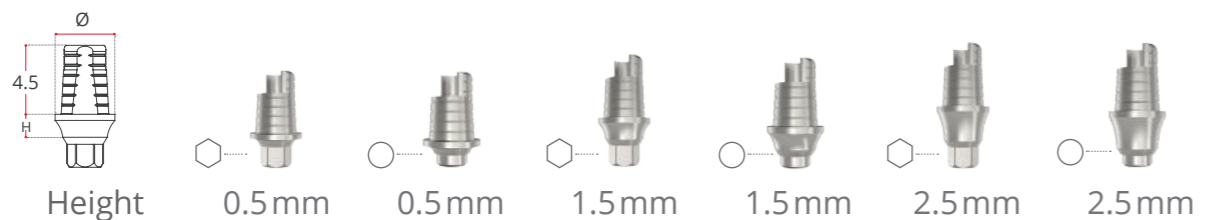
Length 7mm 9mm
REF PSA-3507-NP PSA-3509-NP

Ø 4.5 Scan Body SP



Length 7mm 9mm
REF PSA-4507-SP PSA-4509-SP

Ø 3.5 Titanium Base for Implant NP



Height 0.5mm 0.5mm 1.5mm 1.5mm 2.5mm 2.5mm
REF TIA-3500-NP TIA-3500-NP-R TIA-3515-NP TIA-3515-NP-R TIA-3525-NP TIA-3525-NP-R

Ø 4.5 Titanium Base for Implant SP



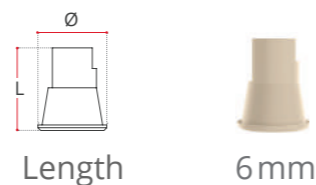
Height 0.5mm 0.5mm 1.5mm 1.5mm 2.5mm 2.5mm
REF TIA-4500-SP TIA-4500-SP-R TIA-4515-SP TIA-4515-SP-R TIA-4525-SP TIA-4525-SP-R

Ø 5.0 Multi-Unit Titanium Base



Length 4.5mm
REF MU-TIA

Ø 5.0 Multi-Unit Scan Body

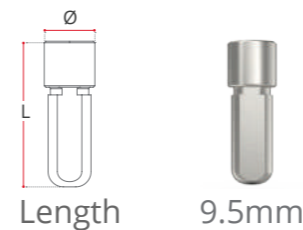


Length 6mm
REF MU-SPA



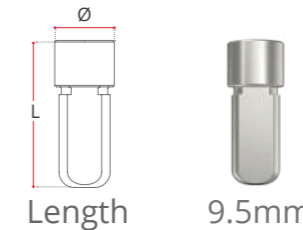
Digital Model Analogs

Ø 3.3 Analog NP



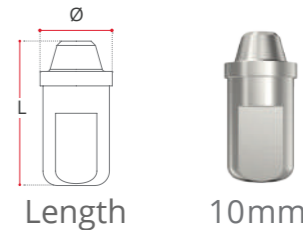
Length 9.5mm
REF DA-3395-NP

Ø 3.75 Analog SP

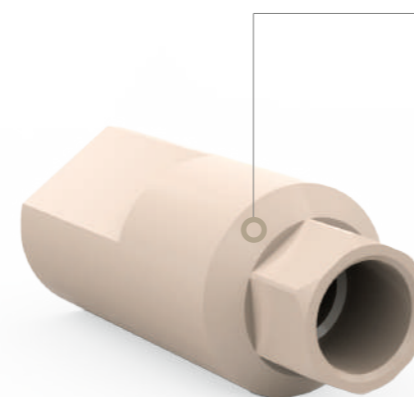


Length 9.5mm
REF DA-3895-SP

Ø 5.0 MU Analog



Length 10mm
REF MU-DAN



Scan Bodies

There is no better method to capture your implant position and angulation than with scan body Peek Abutment. A quick post-surgery scan tells you everything you need to know. The benefit for dentists is that they get a quicker workflow because of a faster case setup.
PEEK
(Poly-Ether-Ether-Ketone)
Up to 25 Ncm

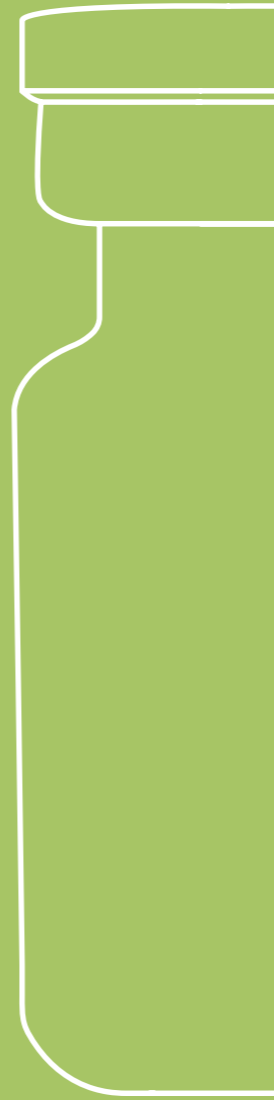
CAD/CAM Ti-Bases

We offer extensive variety of Titanium Interfaces for simple procedured and precise digital workflow.
Ti-6AL-4V-ELI
Up to 25 Ncm



Download Our CAD/CAM Libraries
www.implanet.net
Or Scan the QR Code Above
Available for the leading CAD softwares.





bio materials





Bio-Active Coral Bone Graft



Bio-Active Coral Bone Graft Material
2.0ml Granule Size 1600-2000 Micron

CB2000G20



Bio-Active Coral Bone Graft Material
1.0ml Granule Size 1600-2000 Micron

CB2000G10



Bio-Active Coral Bone Graft Material
1.0ml Granule Size 600-1000 Micron

CB1000G10



Bio-Active Coral Bone Graft Material
1.0ml Granule Size 300-450 Micron

CB500G10



Bio-Active Coral Bone Graft Material
0.5ml Granule Size 600-1000 Micron

CB1000G5



Bio-Active Coral Bone Graft Material
0.5ml Granule Size 300-450 Micron

CB500G5

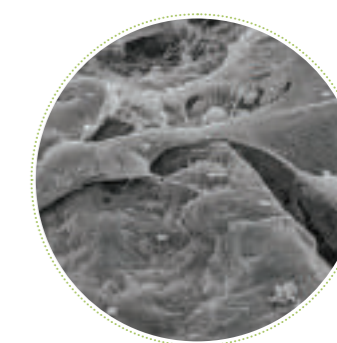
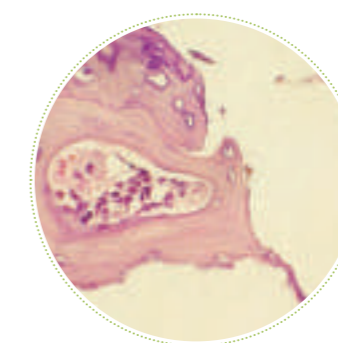
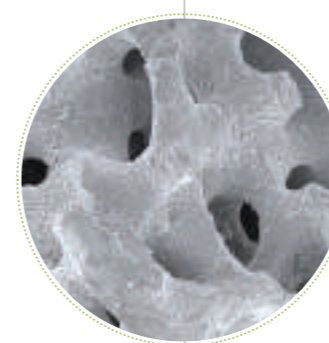
Why Coral Bone Alternative?

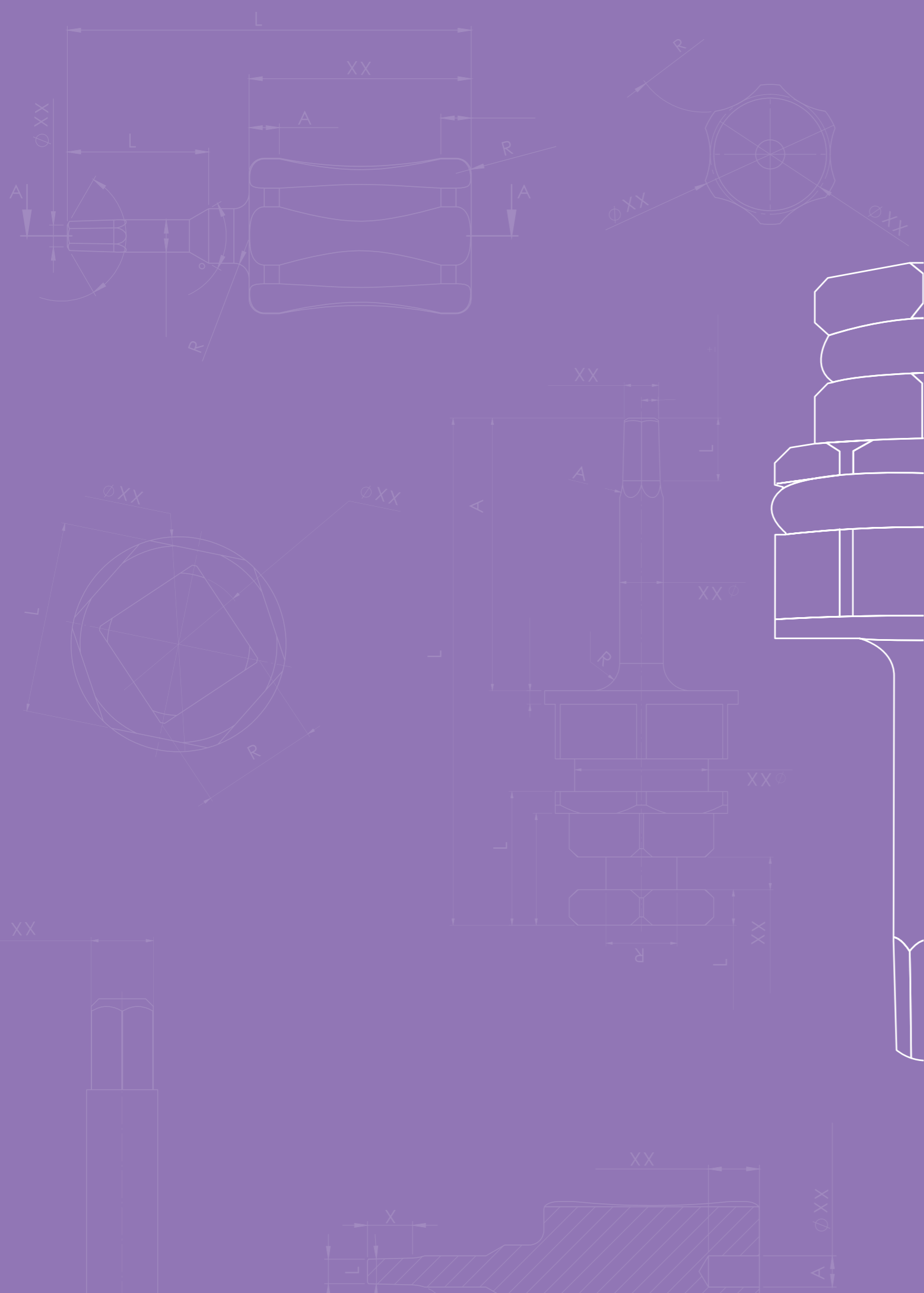
CoreBone is a natural alternative to current synthetic, bovine and human derived bone grafts. It provides volume maintenance, remodeling by osteoclastic activity and required bone formation qualities without the limitations associated with animal or human sources, and better biological safety profile.



CoreBone Coral Farm

CoreBone corals are grown in a closed, controlled aquatic (aquarium) system. Using proprietary technology and laboratory-made sea water enriched with bioactive nutrients and CoreBone's own coral breeding source. This enables CoreBone to leverage the coral natural bone-like properties, prevent sea pollution related risks and ensure product consistency.





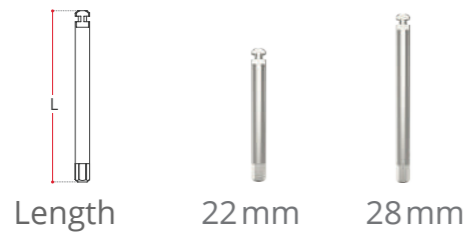
Tools





Implant Drivers

Ø 2.1 Motor Mount NP



Length 22mm 28mm

REF HMM-2122-NP HMM-2128-NP

Ø 2.42 Motor Mount SP



Length 22mm 28mm

REF HMM-2422-SP HMM-2428-SP

Ø 2.1 Ratchet Driver NP



Length 7mm 10mm 15mm

REF HRD-2107-NP HRD-2110-NP HRD-2115-NP

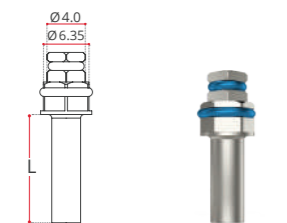
Ø 2.42 Ratchet Driver SP



Length 7mm 10mm 15mm

REF HRD-2407-SP HRD-2410-SP HRD-2415-SP

Ratchet Driver for Onix® Implant



Height 15 mm

REF HRD-ONX

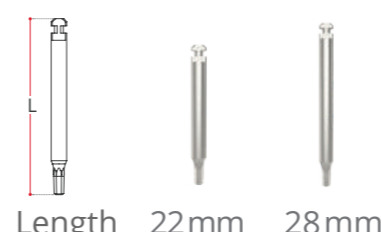
● **Color Marking**
For easy and proper platform identification.
NP SP

● **2 Torquing options**
Fits Both Square Ø4.0 & Hex Ø6.35 Ratchet Wrenches.
Medical Grade Stainless Steel



Screw Drivers

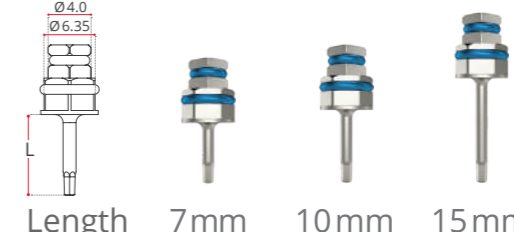
Ø 1.25 Motor Mount



Length 22mm 28mm

REF HMM-1222 HMM-1228

Ø 1.25 Ratchet Driver



Length 7mm 10mm 15mm

REF HRD-1207 HRD-1210 HRD-1215

Ø 1.25 Hand Hex Driver



Length 7mm 14mm

REF HHD-1207 HHD-1214

● **1.25 Hex**
One Driver Fits All Prosthetics.
Medical Grade Stainless Steel





Instruments



Drills w/ External Irrigation

Ø 1.9 Marking Drill & Extender Ø 2.0 Lance Drills

| | | | | |
|--------|----------|----------|----------|----------|
| | | | | |
| Length | 34mm | 12mm | 13mm | 16mm |
| REF | DRM-3419 | DRE-3412 | DRL-2013 | DRL-2016 |

Countersink Drills

Trephine Drills

| | | | | | | |
|-----|------------|-----------|-------------|-------------|-------------|-------------|
| | | | | | | |
| Ø | 3.75-4.2mm | 5.0-6.0mm | 2.0 - 3.0mm | 3.0 - 4.0mm | 4.0 - 5.0mm | 5.0 - 6.0mm |
| REF | DRCS-1034 | DRCS-1054 | DRT-2030 | DRT-3040 | DRT-4050 | DRT-5060 |

Ø 3.0 Parallel Pins

| | | |
|--------|---------|---------|
| Length | 10mm | 16mm |
| REF | PP-3010 | PP-3016 |

Ø 4.0 Hand Manual Tissue Punch

| | |
|----------|---------|
| Length | 12mm |
| Diameter | 4mm |
| REF | HTSP-40 |



● Torque Range
Adjustable torque range.
Medical Grade Stainless Steel
15-45 Ncm

● Ø6.35 Hex Head
Supplied by choice with Ø4.0
Square Head. Additionally or
separately.
Medical Grade Stainless Steel



Short Drills

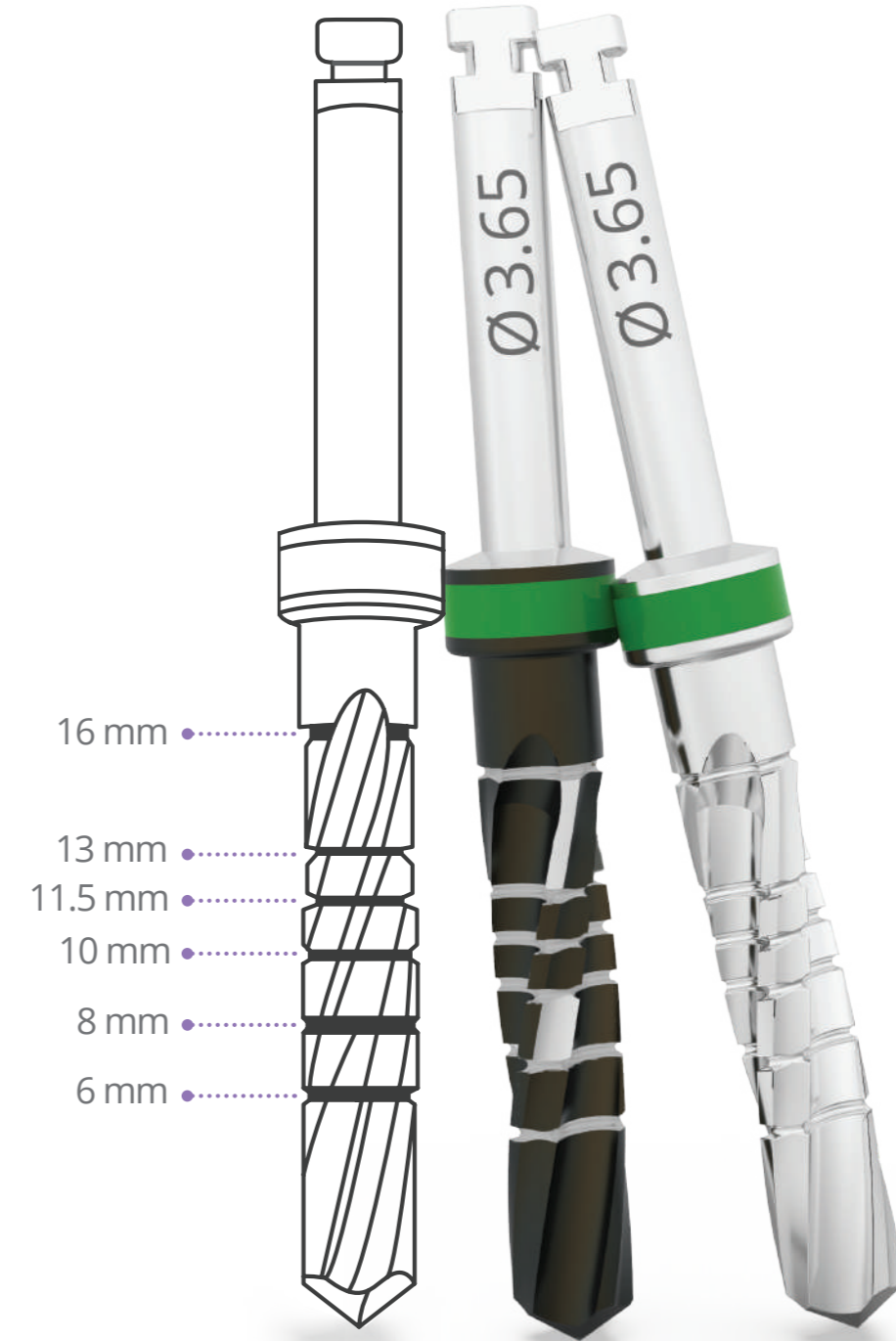
| | | | | | | | |
|-----|---------|---------|---------|---------|---------|---------|---------|
| | | | | | | | |
| Ø | 2.0mm | 2.5mm | 2.8mm | 3.2mm | 3.65mm | 4.2mm | 5.2mm |
| REF | DR-1120 | DR-1125 | DR-1128 | DR-1132 | DR-1136 | DR-1142 | DR-1152 |

Standard Drills

| | | | | | | | |
|-----|---------|---------|---------|---------|---------|---------|---------|
| | | | | | | | |
| Ø | 2.0mm | 2.5mm | 2.8mm | 3.2mm | 3.65mm | 4.2mm | 5.2mm |
| REF | DR-1620 | DR-1625 | DR-1628 | DR-1632 | DR-1636 | DR-1642 | DR-1652 |

DNT2 Coated Drills







| | | | | | | | |
|-----|----------|----------|----------|----------|----------|----------|----------|
| | | | | | | | |
| Ø | 2.0mm | 2.5mm | 2.8mm | 3.2mm | 3.65mm | 4.2mm | 5.2mm |
| REF | DRC-1620 | DRC-1625 | DRC-1628 | DRC-1632 | DRC-1636 | DRC-1642 | DRC-1652 |











Drill Stoppers







Ø 2.0 Stoppers

| | | | | | | |
|--------|---|---|---|---|--|---|
| |  |  |  |  |  |  |
| Length | 6mm | 8mm | 10mm | 11.5mm | 13mm | 16mm |
| REF | DRS-2006 | DRS-2008 | DRS-2010 | DRS-2011 | DRS-2013 | DRS-2016 |







Ø 2.5 Stoppers

| | | | | | | |
|--------|---|---|---|---|--|---|
| |  |  |  |  |  |  |
| Length | 6mm | 8mm | 10mm | 11.5mm | 13mm | 16mm |
| REF | DRS-2506 | DRS-2508 | DRS-2510 | DRS-2511 | DRS-2513 | DRS-2516 |

Ø 2.8 Stoppers







| | | | | | | |
|--------|---|---|---|---|--|---|
| |  |  |  |  |  |  |
| Length | 6mm | 8mm | 10mm | 11.5mm | 13mm | 16mm |
| REF | DRS-2806 | DRS-2808 | DRS-2810 | DRS-2811 | DRS-2813 | DRS-2816 |

Ø 3.2 Stoppers







| | | | | | | |
|--------|---|---|---|---|--|---|
| |  |  |  |  |  |  |
| Length | 6mm | 8mm | 10mm | 11.5mm | 13mm | 16mm |
| REF | DRS-3206 | DRS-3208 | DRS-3210 | DRS-3211 | DRS-3213 | DRS-3216 |









Ø 3.65 Stoppers

| | | | | | | |
|--------|---|---|---|---|---|---|
| |  |  |  |  |  |  |
| Length | 6mm | 8mm | 10mm | 11.5mm | 13mm | 16mm |
| REF | DRS-3606 | DRS-3608 | DRS-3610 | DRS-3611 | DRS-3613 | DRS-3616 |

Ø 4.2 Stoppers

| | | | | | | |
|--------|---|---|---|---|---|---|
| |  |  |  |  |  |  |
| Length | 6mm | 8mm | 10mm | 11.5mm | 13mm | 16mm |
| REF | DRS-4206 | DRS-4208 | DRS-4210 | DRS-4211 | DRS-4213 | DRS-4216 |

Ø 5.2 Stoppers

| | | | | | | |
|--------|---|---|---|---|---|---|
| |  |  |  |  |  |  |
| Length | 6mm | 8mm | 10mm | 11.5mm | 13mm | 16mm |
| REF | DRS-5206 | DRS-5208 | DRS-5210 | DRS-5211 | DRS-5213 | DRS-5216 |



Surgical Kits

ImplaKit® Starter Surgical Kit

KIT-STR



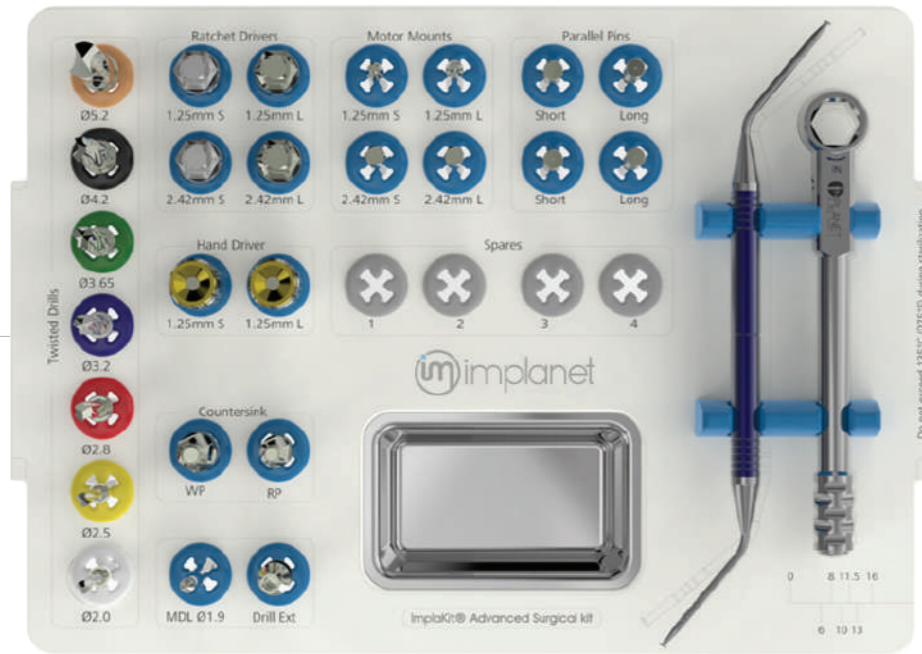
implaKit® Starter Components

- Ratchet Wrench
Ø6.35
RW-6300
- Ratchet Hex Driver
Screw Ø1.25 - L7.0mm
HRD-1207
- Ratchet Hex Driver
Screw Ø1.25 - L15mm
HRD-1215
- Ratchet Hex Driver
Implant Ø2.42 - L7.0mm SP
HRD-2407-SP
- Ratchet Hex Driver
Implant Ø2.42 - L15mm SP
HRD-2415-SP
- Motor Mount
Screw Ø1.25 - L22mm
HMM-1222
- Motor Mount
Screw Ø1.25 - L28mm
HMM-1228
- Motor Mount
Implant Ø2.42 - L22mm SP
HMM-2422-SP
- Motor Mount
Implant Ø2.42 - L28mm SP
HMM-2428-SP
- Hand Hex Driver
Screw Ø1.25 - L7.0mm
HHD-1207
- Hand Hex Driver
Screw Ø1.25 - L14mm
HHD-1214
- Parallel Pin
Short 10mm
PP-3010
- Parallel Pin
Long 16mm
PP-3016
- Countersink Drill
Ø3.75 - Ø4.2mm
DRCS-1034
- Countersink Drill
Ø3.75 - Ø4.2mm
DRCS-1056
- Drill Extender
Length 12mm
DRE-3412
- Ø 1.9 Marking Drill
Length 34mm
DRM-3419
- Ø2.0 Drill
Length 16mm
DR-1620
- Ø2.5 Drill
Length 16mm
DR-1625
- Ø2.8 Drill
Length 16mm
DR-1628
- Ø3.2 Drill
Length 16mm
DR-1632
- Ø3.65 Drill
Length 16mm
DR-1636
- Ø4.2 Drill
Length 16mm
DR-1642
- Ø5.2 Drill
Length 16mm
DR-1652



ImplaKit® Advanced Surgical Kit

KIT-ADV



implaKit® Advanced Components

- Ratchet Wrench
Ø6.35
RW-6300
- Depth Probe
L6-16mm
DPIG-16
- Ratchet Hex Driver
Screw Ø1.25 - L7.0mm
HRD-1207
- Ratchet Hex Driver
Screw Ø1.25 - L15mm
HRD-1215
- Ratchet Hex Driver
Implant Ø2.42 - L7.0mm SP
HRD-2407-SP
- Ratchet Hex Driver
Implant Ø2.42 - L15mm SP
HRD-2415-SP
- Motor Mount
Screw Ø1.25 - L22mm
HMM-1222
- Motor Mount
Screw Ø1.25 - L28mm
HMM-1228
- Motor Mount
Implant Ø2.42 - L22mm SP
HMM-2422-SP
- Motor Mount
Implant Ø2.42 - L28mm SP
HMM-2428-SP
- Hand Hex Driver
Screw Ø1.25 - L7.0mm
HHD-1207
- Hand Hex Driver
Screw Ø1.25 - L14mm
HHD-1214
- Parallel Pin
Short 10mm
PP-3010
- Parallel Pin
Long 16mm
PP-3016
- Countersink Drill
Ø3.75 - Ø4.2mm
DRCS-1034
- Countersink Drill
Ø5.0 - Ø6.0mm
DRCS-1056
- Drill Extender
Length 12mm
DRE-3412
- Ø1.9 Marking Drill
Length 34mm
DRM-3419
- Ø2.0 Drill
Length 16mm
DR-1620
- Ø2.5 Drill
Length 16mm
DR-1625
- Ø2.8 Drill
Length 16mm
DR-1628
- Ø3.2 Drill
Length 16mm
DR-1632
- Ø3.65 Drill
Length 16mm
DR-1636
- Ø4.2 Drill
Length 16mm
DR-1642
- Ø5.2 Drill
Length 16mm
DR-1652



Stopper Kit - Integral Stopper Drill Kit

KIT-STP



Integral Stopper Kit Components

Ø2.0

| | | | | |
|---|---|--|--|--|
| | | | | |
| Integral Stopper Drill Length 6mm DRIS-2006 | Integral Stopper Drill Length 8mm DRIS-2008 | Integral Stopper Drill Length 10mm DRIS-2010 | Integral Stopper Drill Length 11.5mm DRIS-2011 | Integral Stopper Drill Length 13mm DRIS-2013 |

Ø2.5

| | | | | |
|---|---|--|--|--|
| | | | | |
| Integral Stopper Drill Length 6mm DRIS-2506 | Integral Stopper Drill Length 8mm DRIS-2508 | Integral Stopper Drill Length 10mm DRIS-2510 | Integral Stopper Drill Length 11.5mm DRIS-2511 | Integral Stopper Drill Length 13mm DRIS-2513 |

Ø2.8

| | | | | |
|---|---|--|--|--|
| | | | | |
| Integral Stopper Drill Length 6mm DRIS-2806 | Integral Stopper Drill Length 8mm DRIS-2808 | Integral Stopper Drill Length 10mm DRIS-2810 | Integral Stopper Drill Length 11.5mm DRIS-2811 | Integral Stopper Drill Length 13mm DRIS-2813 |

Ø3.2

| | | | | |
|---|---|--|--|--|
| | | | | |
| Integral Stopper Drill Length 6mm DRIS-3206 | Integral Stopper Drill Length 8mm DRIS-3208 | Integral Stopper Drill Length 10mm DRIS-3210 | Integral Stopper Drill Length 11.5mm DRIS-3211 | Integral Stopper Drill Length 13mm DRIS-3213 |

Ø3.65

| | | | | |
|---|---|--|--|--|
| | | | | |
| Integral Stopper Drill Length 6mm DRIS-3606 | Integral Stopper Drill Length 8mm DRIS-3608 | Integral Stopper Drill Length 10mm DRIS-3610 | Integral Stopper Drill Length 11.5mm DRIS-3611 | Integral Stopper Drill Length 13mm DRIS-3613 |

Ø4.2

| | | | | |
|---|---|--|--|--|
| | | | | |
| Integral Stopper Drill Length 6mm DRIS-4206 | Integral Stopper Drill Length 8mm DRIS-4208 | Integral Stopper Drill Length 10mm DRIS-4210 | Integral Stopper Drill Length 11.5mm DRIS-4211 | Integral Stopper Drill Length 13mm DRIS-4213 |



Dental Implant Systems Ltd.

Ha Haruv Blvd 6, Bar-Lev Industrial Park, Israel

info@implanet.net | www.implanet.net | Tel +972-99783333